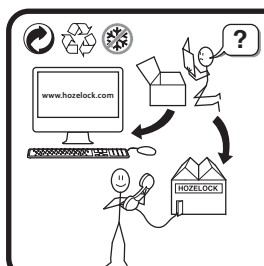


HOZELOCK

4550

Pure

Pure 5L



Hozelock-Exel
891 route des Frênes - 69653
Villefranche-sur-Saône Cedex
FRANCE

Hozelock Ltd.
Midpoint Park, Birmingham,
B76 1AB. ENGLAND
Tel: +44 (0) 121 313 1122

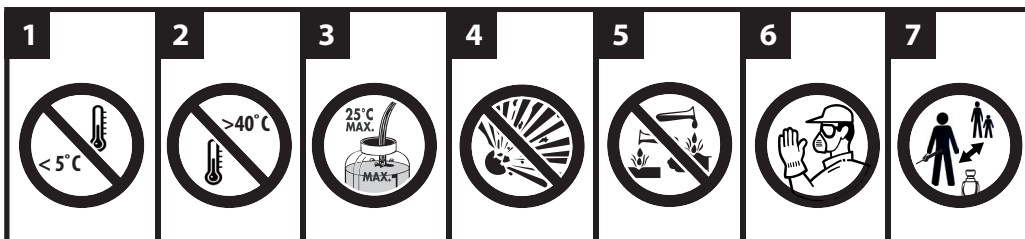
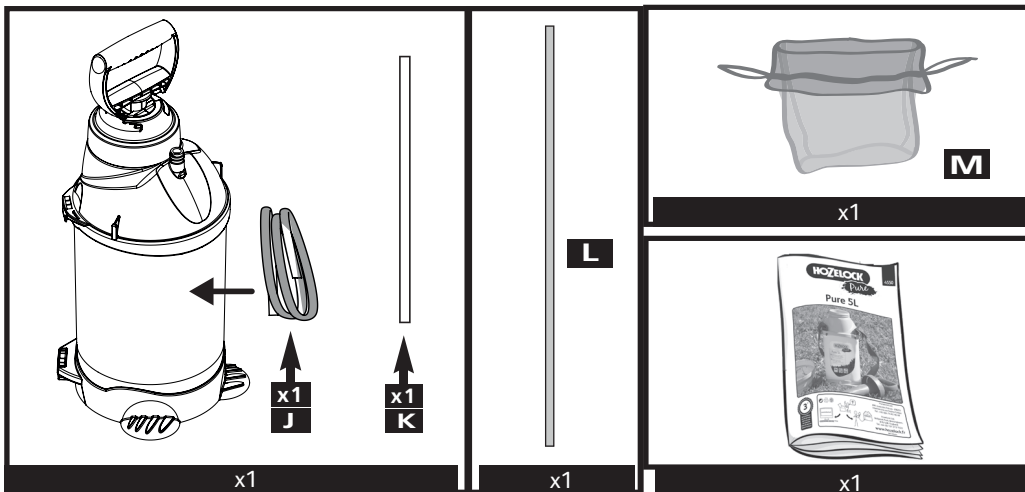
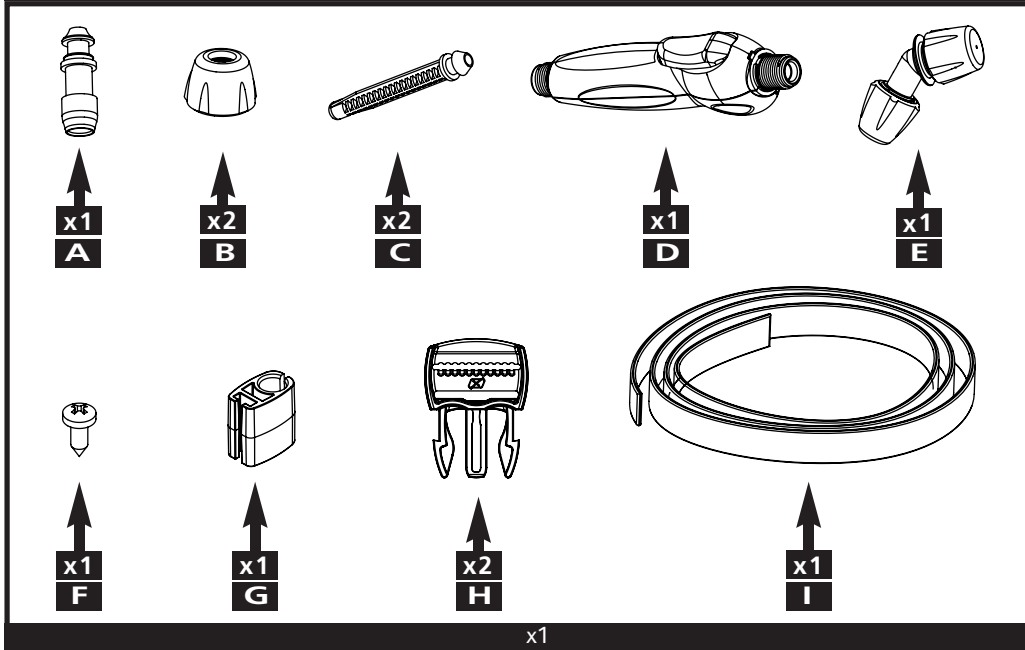
Hozelock Australia Pty Ltd
(ABN 83 154 891 648)
Unit 42 / 74 Indian Drive
Keysborough Victoria 3173
1300 275175
australiainmail@hozelock.com

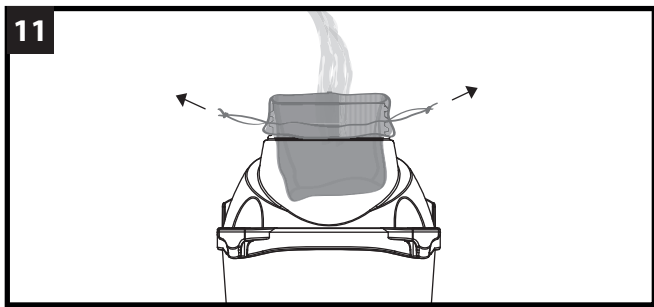
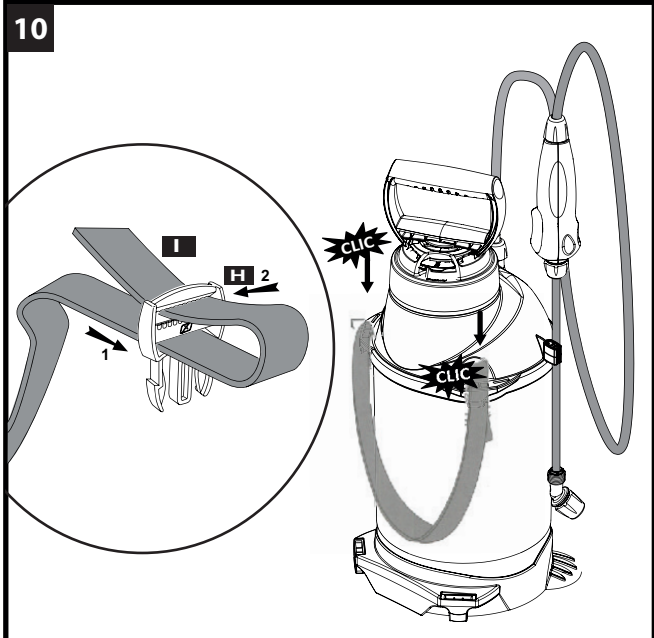
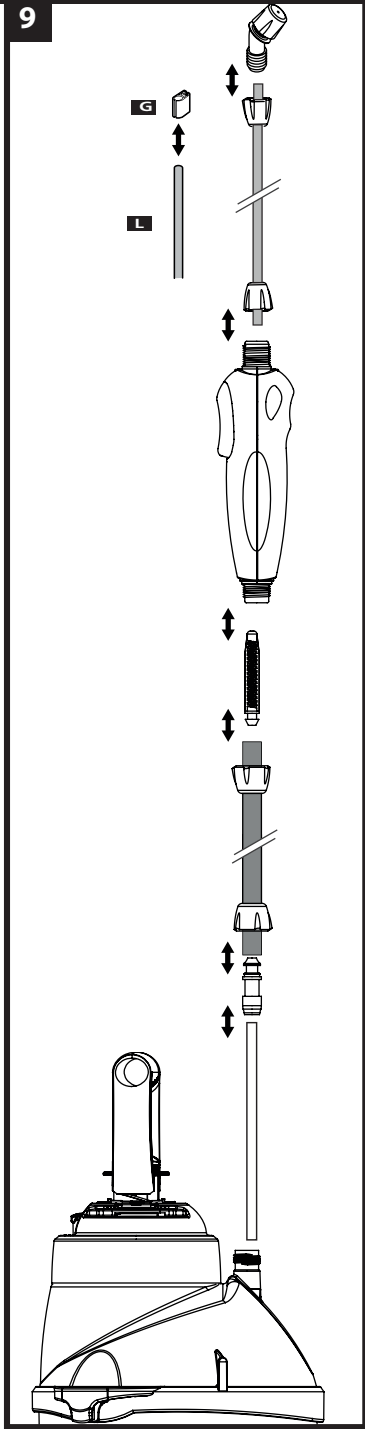
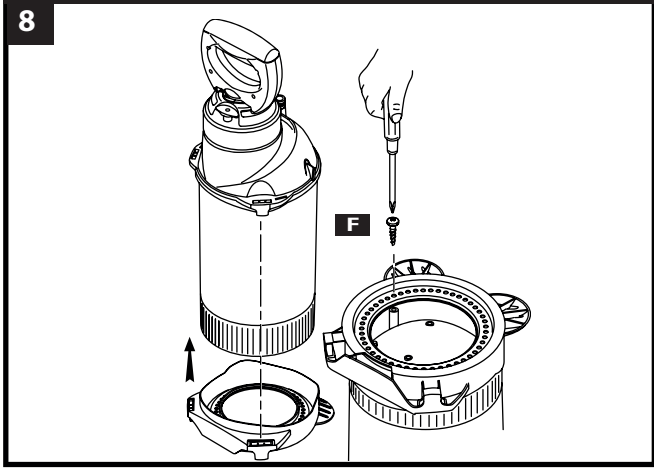
www.hozelock.com

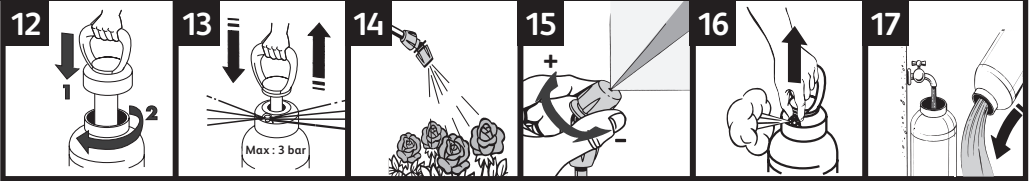
Ref. 585739



- UK** The instructions must be read before use
- F** À lire impérativement avant la mise en service
- D** Diese Anleitung vor Inbetriebnahme bitte unbedingt lesen
- NL** Lees deze gebruiksaanwijzing voordat u het apparaat gebruikt
- E** Leer obligatoriamente antes de la primera utilización.
- S** Läs noga före användning
- N** Må leses før apparatet tas i bruk.
- FIN** Ohjeet on välttämätöntä lukea ennen käytön aloittamista
- DK** Skal altid læses inden idriftsættelse
- I** Da leggere tassativamente prima della messa in servizio
- P** A ler imperativamente antes da colocação em serviço.

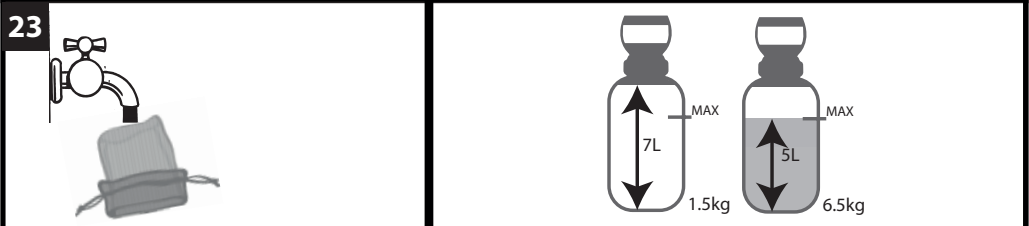
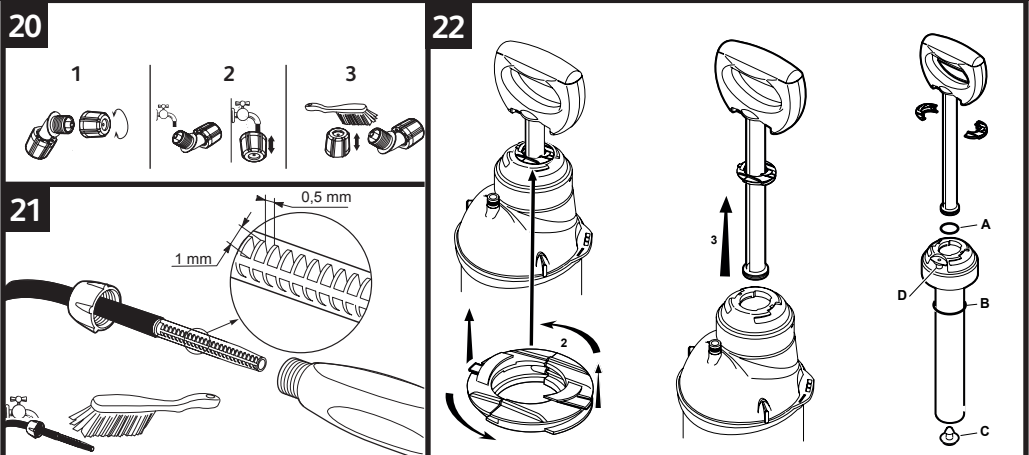






18		15/10	Pressure / Pression (Bar)		
			1 bar	2 bars	3 bars
			Flow rate / Débit (l/min)		
			0,34	0,48	0,58

19		α	Pressure / Pression (Bar)			
			1 bar	1,5 bar	2 bars	2,5 bars
			Flow rate / Débit (l/min)			
Brown / Marron / Marrôn / Castanho / Bruin / Braun /	DT 2,5	110°	1,150	1,410	1,630	1,830



A sprayer is a pressure apparatus where there is always the risk of explosion with a projection of liquid if the instructions are not followed. If you have any doubts concerning its use, contact the manufacturer.

The original manual was written and approved in French. All other languages are translations of the original. In the event of a conflict, imprecisions or discrepancies between the French and other languages, the French version shall prevail.

FIELD OF APPLICATION

This apparatus is exclusively designed for the application of GARDEN PHYTOSANITARY products, BIOLOGICAL CONTROL products and for the application of the FORMULAE presented or proposed by the manufacturer in the formulae booklet accompanying this product or on the manufacturer's website. The quantities of each ingredient in the FORMULAE must be strictly respected. Comply with the instructions for use provided by the manufacturer of these solutions. For any other application, you **MUST** consult the manufacturer.

IMPORTANT: This apparatus must not contain or be used to spray chlorine, solvents or acetone-based or acid-based products (except vinegar). Nor should it be used for the application of bleach, washing products or disinfectants.

Spray compatible with vinegar-based products authorised for sale on the Swedish market such as Kraft Attika - List available at www.kemi.se.

INSTRUCTIONS

- Install the two nuts (B) on the piping
 - Install the tubing (A) on the dipping tube (K), then install the pipe (J) on this assembly.
 - Install the piping on the reservoir (**Fig.9**).
 - Install the filter (C) on the piping (J)
 - Install the piping on the handle (D) (**Fig.9**).
 - Install the clip (G) on the lance tube (L) (**Fig.9**).
 - Install the two nuts on the lance tube. Install the nozzle on the lance tube and the tube on the handle (**Fig.9**).
 - Install the connector, which is present depending on the model, by clipping or screwing in depending on the model (**Fig. 8**).
 - Install the carrying strap(s), which are present depending on the model (**Fig.10**).
 - Put the filling filter in place, which is present depending on the model, when filling the sprayer (**Fig.11**).
- Seal the filter on the neck by pulling on the strings. Remove the filter before closing the sprayer.
- Storing the lance after use (**Fig.10**)

- Sprayer not compatible with the pressure regulator manufactured by HOZELOCK-EXEL ref 283983

- Sprayer not compatible with the HOZELOCK telescopic lance ref 4107

OPERATION

COMMISSIONING / SAFETY RULES

- This apparatus is equipped with a switch that allows supply to the lance to be stopped as soon as the switch is no longer being pressed.
- It is equipped with a safety valve calibrated at the pressure recorded on the valve or on the reservoir, which limits pressure inside the reservoir.
- The following are recommended:
 - Never remove the valve from the apparatus.
 - Do not tamper with the operation of the valve.
 - For your own safety, the valve must remain in perfect working order.
 - Before each pressurizing, check that the valve operates correctly: lift it up manually and then let go. It should return immediately to its original position. If this is not the case, do not pressurise the apparatus.
 - Check that the apparatus operates correctly by checking there are no leaks with several litres of water in the reservoir.
 - The apparatus must not be used or stored at temperatures under 5°C or over 40°C, neither during overwintering or during the rest of the year (**Figs. 1 and 2**).
 - The solution to be sprayed must not exceed 25°C (**Fig. 3**).
 - Only use in calm weather (no wind).
 - Do not use explosive, acidic, and/or corrosive products in the sprayer (**Figs. 4 and 5**).
 - Do not spray in the direction of flames or other heat sources.
 - Wear protective clothing, protective gloves, protective goggles and a protective mask (**Fig. 6**).
 - Do not smoke, eat or drink during use.
 - Do not spray in the direction of other people or pets.
 - Keep other people and pets at a reasonable distance from the apparatus when spraying (**Fig. 7**).
 - Help protect the environment, only spray surfaces to be treated.
 - Never remove a part of the sprayer without having previously released the pressure.
 - This apparatus must not be used by individuals suffering from fatigue or illness, or by any person under the influence of alcohol, drugs or other medication.

FILLING

- Follow the manufacturer's instructions for the treatment agents (dosage, application method, rinsing).

- Only prepare the quantity of agent that is strictly necessary and for one application. It is advisable to use a filter during filling and to avoid any overflow.

- Dosing is easy due to the graduation scale on the reservoir.

- Preparation of the solution to be sprayed:

a) Powder product (soluble or wettable): prepare the solution in a bucket before decanting it into the reservoir through the filling hole.

b) Liquid-based product (to be diluted in water): put 1-2 litres of water into the tank, pour in the dose of liquid product, then fill up with the required quantity of water.

DURING USE

- Depending on the apparatus, manually screw the filling cap or the pump on the reservoir (Fig. 12).

- Pump to pressurise until the valve operates (until a blast of air is released) (Fig. 13).

- Pressurize the sprayer exclusively with its pump..

- Spray by pressing the handle switch (Fig. 14).

- Adjust the jet by turning the nozzle in both directions (Fig. 15).

- In order to prevent all risks of plug formation, the spray solution must be prepared in a separate container, before using the filter provided to fill the sprayer (Fig. 11).

AFTER USE / CLEANING

After each use:

- Eliminate any residual pressure that may remain in the apparatus operating the safety valve, by pulling or pushing it depending on the case, or by spraying until there is no more pressure.

- Avoid risks of pollution by recovering any unused product and its packaging.

- Wash your hands and face with fresh water after using the sprayer.

- Never store the sprayer pressurised.

- Never store the treatment agent inside the sprayer.

- Never leave the apparatus in a warm environment, nor out in the sun nor out in the cold (Figs. 1 and 2).

- Store the sprayer in a sheltered location out of the reach of children.

- Clean the handle filter and the suction filter in the reservoir if present in the sprayer.

- Clean the filling filter (Fig. 23)

- If you spray until there is just air in the jet: eliminate residual pressure remaining in the apparatus by operating the safety valve or by spraying until there is no more pressure (Fig. 16). The residual volume of liquid is less than 250 ml.

- Before storing and before any other use with another treatment agent, perform a rinsing operation, i.e. put 1 litre of water into the reservoir for dilution (Fig. 17), mix thoroughly and operate the apparatus to rinse all of the sprayer's components. This rinsing operation must be carried out without removing any of the accessories used during the treatment. This rinsing mixture must not be emptied into a sewer but must be sprayed outside on the land that has already been treated.

- Repeat the operation several times before overwintering.

- If there is still some unused treatment product left, eliminate any residual pressure remaining in the apparatus by operating the safety valve (Fig. 16). Recover any possible excess of product and rinse the sprayer again as indicated above.

- Before using again, even if it is used again immediately, with a different spraying solution, repeat the rinsing operation 3 consecutive times.

- Before using again, even if it is used again immediately, with the same treatment product or a different one, check that the sprayer works properly (especially the valve), treated in 1 min x nozzle output = 100 m²/20 m²/min x 0.66L/min = 3.3 litres; i.e. 3.3-0.6 = 2.7 litres of water and 0.6 litres of treatment product.

- This calculation is only given as an indication. During actual use, take into account the information provided by the manufacturer of the treatment product and the data on the nozzle output table.

MAINTENANCE

- Periodically, on re-use after overwintering and several times per season, grease all the joints (with silicone grease for sprayers) and check that the sprayer is working properly (especially the valve).

- Clean the nozzle and the nozzle holder (Fig. 20)

- Clean the lance filter (Fig. 21)

- Remove the pump (Fig.22)

- Grease or replace the valve and the seals (Fig.22)

FAULTS / SOLUTIONS

Problems	Solutions
Little or no spraying	Make sure that all the connectors are fully tightened.
	Make sure that all the seals are lubricated and clean and are not damaged or worn. Replace them if necessary (contact the customer service department).
	Clean the nozzle and the filters
The spraying is not straight	Clean the nozzle.

Problems	Solutions
Leaks	Make sure that all the connectors are fully tightened.
	Make sure that all the seals are lubricated and clean and are not damaged or worn. Replace them if necessary (contact the customer service department).
Safety valve defective	DANGER: Do not pressurise the apparatus again. Contact the customer service department.

WARRANTIES

EXTENDED COVER

Guarantee period and scope:

- We guarantee our products for a period specified in the specific manual attached to the product or on the product from their date of purchase (Compulsory Cover extended to 2 years + Extension of our Contractual Warranty).
- On failure to present proof of the date of purchase of the products, the Warranty is effective from the date of manufacture of the product (stated underneath the product).

Warranty disclaimer:

This Warranty does not cover:

- Normal wear parts: seals, valves, handle, nozzle, piping, carrying straps, rod and lever,
- Modified products,
- Products whose use contradicts the technical recommendations stipulated in the User Manuals accompanying the product,
- Products used improperly,
- Products not undergoing regular maintenance,
- Product deteriorations (impacts, falls, crushing, etc.) originating from negligence, improper maintenance, improper use or abnormal use of the product,
- The replacement of a component after losing a component of the sprayer.

Warranty activation:

- We ask that you keep proof of purchase (invoice or legible till receipt), as this will be requested on activation of the Contractual Warranty.
- A product under warranty that has been repaired or replaced, remains guaranteed for the remaining duration and under the original conditions of the Contractual Warranty granted at the time of purchase. All returned products become the property of HOZELOCK-EXEL when replaced by a new product.

Legal Warranty

- The Mandatory Cover, the conditions of which are recalled hereinabove, does not replace the Legal Warranty.

STATEMENT OF WARRANTY

General Terms and Conditions

Hozelock provides a manufacturer's warranty to the initial purchaser for each new product produced by Hozelock that is sold by an authorised Hozelock supplier in Australia or New Zealand. This warranty provides such initial purchaser with a guarantee against faulty workmanship in manufacture and/or defective components for the warranty period from the date of purchase.

The benefits given by this manufacturer's warranty are in addition to other rights and remedies of the consumer under a law in relation to the goods to which this warranty relates.

Making a Claim

If any product supplied by Hozelock is found to be defective due to faulty manufacture and/or defective components within the warranty period, Hozelock will repair or replace the product to the customer providing:

- proof of purchase is provided to Hozelock or its authorized supplier of the relevant goods
- the fault is not caused by misuse, neglect, adjustments and or modification by the consumer
- the consumer presents the defective product at the premises of the authorised supplier of that relevant Hozelock product
- failure has not occurred through normal wear and tear.

The product will be repaired or replaced at Hozelock's cost however any costs incurred to obtain warranty consideration or service is the consumer's responsibility, including shipping and handling, travel expense, lost time, or pickup and delivery.

Australia

Our goods come with guarantees that cannot be excluded under the Australia Consumer Law. You are entitled to a replacement or refund for a major failure and for compensation for any other reasonably foreseeable loss or damage. You are also entitled to have the goods repaired or replaced if the goods fail to be of acceptable quality and the failure does not amount to a major failure.

Hozelock Australia Pty Ltd (ABN 83 154 891 648)

Unit 42 / 74 Indian Drive

Keysborough Victoria 3173

Phone: 1300 275175

Email: australiainmail@hozelock.com

New Zealand

The manufacturer's warranty is in addition to the rights and remedies provided by the New Zealand Consumer Guarantees Act

Distributed in New Zealand by:

Horticom (Company No. 463657)

651 Rosebank Road, Avondale, Auckland 1026

Phone: 09 828 4408

F NOTICE D'UTILISATION

Un pulvérisateur est un appareil sous pression qui peut présenter des risques d'explosion, avec projection de liquide, si les consignes inscrites dans cette notice ne sont pas respectées. En cas de doute, consulter le constructeur.

La notice originale a été rédigée et approuvée en français. Toutes les autres langues sont des traductions de l'originale. En cas de conflit, d'imprécisions ou d'écarts entre le français et les autres langues, la version française prévaut.

DOMAINE D'APPLICATION

Cet appareil est exclusivement conçu pour l'application des produits PHYTOSANITAIRES JARDIN, produits de BIOCONTROLE et pour l'application des RECETTES présentées ou proposées par le constructeur, dans le livret recette joint à ce produit ou sur le site internet du constructeur. Il est important de respecter scrupuleusement les quantités de chaque ingrédient des RECETTES. Respecter les instructions d'utilisation du fabricant des dites solutions. Pour toute autre application, il est IMPERATIF de consulter le constructeur.

ATTENTION : Cet appareil ne doit pas contenir ou pulvériser les produits chlorés, solvantés, les produits à base acétone et base acide (sauf vinaigre), l'eau de javel, les produits lessiviels et les désinfectants.

Pulvérisateur compatible avec produits à base de vinaigre autorisés à la vente sur le marché suédois tel que Kraft Attika - Liste disponible sur www.kemi.se.

MONTAGE

- Monter les deux écrous (B) sur le tuyau (J).
- Monter la tubulure (A) sur le tube plongeur (K) puis monter le tuyau (J) sur cet ensemble.
- Monter la tuyauterie sur le réservoir (**Fig.9**).
- Monter le filtre (C) sur le tuyau (J). Le deuxième filtre n'est pas à utiliser pour le montage. Vous pouvez le garder en pièce de remplacement.
- Monter la tuyauterie sur la poignée (D) (**Fig.9**).
- Monter le clip (G) sur le tube de lance (L) (**Fig.9**).
- Monter les deux écrous sur le tube de lance. Monter la buse sur le tube de lance et la tube sur la poignée (**Fig.9**).
- Montage de l'embase, présente selon modèle, par clipage ou vissage selon modèle (**Fig. 8**).
- Monter la ou les bretelle(s) de portage, présente(s) selon modèle (**Fig.10**).
- Mettre en place le filtre de remplissage, présent selon modèle lors du remplissage du pulvérisateur (**Fig.11**). Sceller le filtre sur le goulot en tirant sur les ficelles. Ôter le filtre avant de refermer le pulvérisateur.
- Rangement de la lance après utilisation (**Fig.10**).

- Pulvérisateur non compatible avec le régulateur de pression fabriqué par HOZELOCK-EXEL ref 283983

- Pulvérisateur non compatible avec la lance télescopique HOZELOCK ref 4107

FONCTIONNEMENT

MISE EN SERVICE / RÈGLES DE SÉCURITÉ

- Cet appareil est équipé d'un interrupteur, qui permet de couper l'alimentation de lance dès que l'interrupteur n'est plus maintenu.
- Ce pulvérisateur est équipé d'une soupape de sécurité tarée à la pression inscrite sur la soupape ou sur le réservoir, qui limite la pression à l'intérieur du réservoir.
- Il est recommandé de :
 - Ne jamais démonter la soupape de son appareil.
 - Ne pas gêner le fonctionnement de la soupape.
 - Pour votre sécurité, celle-ci doit rester en parfait état de fonctionnement.
 - Avant chaque mise en pression, vérifier le bon fonctionnement de la soupape : soulevez-la manuellement, puis relâchez-la. Elle doit revenir instantanément à sa position initiale. Si ce n'est pas le cas, ne mettez pas l'appareil en pression.
 - S'assurer du bon fonctionnement de l'appareil en vérifiant les étanchéités avec quelques litres d'eau dans le réservoir.
 - L'appareil ne doit pas être utilisé et stocké à des températures inférieures à 5°C et supérieures à 40°C, en période d'hivernage comme dans le reste de l'année (**Fig. 1 et 2**).
 - La solution à pulvériser ne doit pas excéder 25°C (**Fig. 3**).
- Ne traiter que par temps calme (sans vent).
- Ne pas utiliser de produits explosifs, acides et/ou corrosifs dans le pulvérisateur (**Fig. 4 et 5**).
- Ne pas pulvériser en direction de flammes ou de source de chaleur.
- Porter des vêtements de protection, des gants de protection, des lunettes de protection et un masque de protection (**Fig. 6**).
- Ne pas fumer, boire ou manger pendant l'utilisation.
- Ne pas pulvériser en direction des personnes ou animaux domestiques.
- Maintenir les tierces personnes et animaux domestiques à distance raisonnable pendant la pulvérisation (**Fig. 7**).
- Préserver l'environnement, ne pulvériser que les surfaces à traiter.
- Ne jamais démonter un élément du pulvérisateur sans avoir préalablement ôté la pression.
- Cet appareil ne doit pas être utilisé en cas de fatigue, maladie, sous l'emprise de l'alcool, drogue ou autre médicament.

REPLISSAGE

- Respecter les instructions du fabricant de produits de traitement (dosage, mode d'application, rinçage).
- Ne préparer que la quantité de produit strictement nécessaire, et pour une seule application. Nous vous conseillons d'utiliser un filtre lors du remplissage et d'éviter tout débordement.
- Le dosage est aisé du fait de la graduation apparente sur le réservoir.
- Préparation de la solution à pulvériser :
 - a) Produit en poudre (soluble ou mouillable) : préparer dans un seau avant de la transvaser dans le réservoir par l'orifice de remplissage.
 - b) Produit à base liquide (à diluer dans l'eau) : mettre 1 à 2 litres d'eau dans le réservoir, verser la dose de produit liquide, puis compléter en eau à la quantité désirée.

EN UTILISATION

- Visser manuellement, selon l'appareil, le bouchon de remplissage ou bien la pompe sur le réservoir (Fig. 12).
- Ajuster la longueur de la lance à votre convenance si vous possédez une lance télescopique.
- Pomper pour mettre en pression jusqu'au déclenchement de la soupape (dès qu'un souffle d'air est expulsé) (Fig. 13).
- Faire la mise en pression du pulvérisateur exclusivement par la pompe qui l'équipe.
- Pulvériser en appuyant sur l'interrupteur de poignée (Fig. 14).
- Procéder au réglage du jet en tournant la buse dans les deux sens (Fig. 15).
- Afin d'éviter tout risque de bouchons, il est impératif de préparer la solution à pulvériser dans un autre récipient, puis d'utiliser le filtre fourni lors du remplissage du pulvérisateur.

APRÈS UTILISATION / NETTOYAGE

- Après chaque utilisation :
- Eliminer la pression résiduelle pouvant subsister dans l'appareil en actionnant la soupape de sécurité, en la tirant ou en la poussant selon le cas, ou bien en pulvérisant jusqu'à ce qu'il n'y ait plus de pression.
 - Eviter les risques de pollution en récupérant le produit non utilisé ainsi que son emballage.
 - Se laver les mains et le visage à l'eau claire, après utilisation du pulvérisateur.
 - Ne jamais ranger le pulvérisateur en pression.
 - Ne jamais conserver du produit de traitement à l'intérieur du pulvérisateur.
 - Ne pas laisser séjourner l'appareil à la chaleur, ni au soleil, ni au froid (Fig. 1 et 2).
 - Ranger le pulvérisateur dans un endroit abrité, hors de la portée des enfants.
 - Nettoyer le filtre de poignée et le filtre d'aspiration dans le réservoir si le pulvérisateur en est équipé.

- Nettoyer le filtre de remplissage. (Fig.23)
- Si vous pulvériser jusqu'à l'apparition d'air dans le jet : éliminez la pression résiduelle pouvant subsister dans le pulvérisateur en actionnant la soupape de sécurité (Fig. 16) ou bien pulvériser jusqu'à ce qu'il n'y ait plus de pression. Le volume résiduel de liquide est inférieur à 250 ml.
- Avant rangement et avant toute autre utilisation avec un autre produit de traitement, effectuer une opération de rinçage, c'est à dire ajouter 1 litre d'eau pour diluer dans le réservoir (Fig. 17), bien mélanger et faire fonctionner pour rincer l'ensemble des composants de l'appareil. Cette opération de rinçage doit s'effectuer sans démonter les accessoires utilisés lors du traitement. Ce mélange de rinçage ne doit en aucun cas être jeté dans les égouts, mais être pulvérisé à l'extérieur sur le terrain déjà traité.
- Répéter l'opération plusieurs fois avant hivernage.
- S'il vous reste encore du produit de traitement non utilisé, éliminez la pression résiduelle pouvant subsister dans l'appareil en actionnant la soupape de sécurité (Fig. 16). Récupérer l'éventuel excédent de produit et rincer à nouveau le pulvérisateur comme indiqué ci-dessus.
- Avant toute nouvelle utilisation, même immédiate, avec une solution à pulvériser différente, répéter 3 fois de suite l'opération de rinçage.
- Avant toute nouvelle utilisation, même immédiate, avec le même produit de traitement ou un autre produit de traitement, vérifier le bon fonctionnement du pulvérisateur (en particulier la soupape)

MAINTENANCE / ENTRETIEN

- Périodiquement, au redémarrage après hivernage et plusieurs fois par saison, graisser tous les joints (avec une graisse silicone pour pulvérisateur), et vérifier le bon fonctionnement du pulvérisateur (en particulier la soupape).
- Nettoyer la buse et le porte buse (Fig. 20)
 - Nettoyer le filtre de lance (Fig.21)
 - Démontez la pompe (Fig.22)
 - Graisser ou remplacer la clapet et les joints (Fig.22)

DÉFAUTS / SOLUTIONS

Problèmes	Solutions
Faible ou pas de pulvérisation	S'assurer que tous les raccords sont bien serrés.
	S'assurer que tous les joints sont lubrifiés et propres, et ne sont pas endommagés ou usés. Les remplacer si nécessaire (contacter service consommateur).
	Nettoyer la buse et les filtres

Problèmes	Solutions
La pulvérisation n'est pas droite	Nettoyer la buse.
Fuites	S'assurer que tous les raccords sont bien serrés.
	S'assurer que tous les joints sont lubrifiés et propres, et ne sont pas endommagés ou usés. Les remplacer si nécessaire (contacter service consommateur).
Soupape de sécurité défectueuse	DANGER : Ne plus mettre l'appareil sous pression Contacter le service consommateur

GARANTIE

EXTENSION DE LA GARANTIE CONTRACTUELLE

Nous garantissons nos produits pendant une durée précisée dans la notice spécifique jointe au produit ou sur le produit à compter de leur date d'achat (Garantie Contractuelle Obligatoire portée à 2 ans + Extension de notre Garantie Contractuelle).

A défaut de preuve de la date d'achat des produits, la Garantie court à compter de la date de fabrication du produit (reprise sous le produit).

Exclusions de la garantie contractuelle

La Garantie Contractuelle ne comprend pas :

- Les pièces d'usure normale : joints, clapets, poignée, buse, tuyauterie, sangles de portage, bielle et levier,
- Les produits dont il est fait usage en infraction avec les recommandations techniques
- Les produits dont il est fait un usage abusif,
- Les produits n'ayant pas fait l'objet d'un entretien régulier,
- Les dégradations du produit (chocs, chutes, écrasement, etc...) provenant de négligence, de défaut d'entretien, d'utilisation défectueuse ou anormale du produit,
- Le remplacement d'un composant, suite à une perte de composant du pulvérisateur.

Fonctionnement de la garantie

Contactez votre revendeur pour faire valoir votre garantie.

Nous vous demandons de conserver votre preuve d'achat (facture ou ticket de caisse lisible), qui vous sera demandé en cas de mise en œuvre de la garantie contractuelle.

Un produit sous garantie qui a été réparé ou remplacé, reste garanti pour la durée restante et aux conditions initiales de la garantie contractuelle octroyée lors de l'achat.

Tout produit retourné devient propriété d'HOZELOCK quand il est remplacé par un produit neuf.

D BEDIENUNGSANLEITUNG

Ein Sprühgerät ist ein Gerät, das unter Druck steht. Im Falle der Nichtbeachtung der in dieser Anleitung enthaltenen Vorschriften besteht die Gefahr einer Explosion, bei der Flüssigkeit herausgeschleudert werden kann. Im Zweifelsfall mit dem Hersteller Rücksprache nehmen.

Die Original-Anleitung wurde in französischer Sprache verfasst und genehmigt.

Sämtliche andere Sprachen sind Übersetzungen des Originals. Bei Konflikten, Ungenauigkeiten oder Abweichungen zwischen dem französischen Original und den anderen Sprachen ist die französische Anleitung maßgebend.

ANWENDUNGSBEREICH

Dieses Gerät ist ausschließlich für die Anwendung von Pflanzenschutzmitteln Jardin (Garten) und biologischen Schädlingsbekämpfungsmitteln sowie für die Anwendung der vom Hersteller angegebenen oder vorgeschlagenen Rezepte konzipiert. Diese Rezepte finden Sie im Rezeptheft, das im Lieferumfang dieses Produktes enthalten ist, oder auf der Website des Herstellers. Die Mengenangaben für alle Zutaten der REZEPTE müssen unbedingt genauestens eingehalten werden. Die Gebrauchsanweisungen des Herstellers dieser Lösungen beachten. Bei allen anderen Anwendungen muss mit dem HERSTELLER Rücksprache genommen werden.

ACHTUNG: Dieses Gerät darf nicht zum Füllen oder Sprühen von chlor- und lösungsmittelhaltigen Produkten, Produkten auf Aceton- und Säurebasis (außer Essig), Chlorbleiche, Waschmitteln oder Desinfektionsmitteln eingesetzt werden.

Sprühgerät kompatibel mit Produkten auf Säurebasis, die auf dem schwedischen Markt zum Verkauf freigegeben sind, wie z. B. Kraft Attika - Eine Liste ist auf www.kemi.se verfügbar.

ANLEITUNG

- Den Stutzen auf dem Tauchrohr montieren und den Schlauch darauf einsetzen. Die Schlauchleitung auf dem Behälter befestigen (**Abb. 9**).
- Die Schlauchleitung am Griff befestigen (**Abb. 9**).
- Den Clip am Spritzrohr befestigen (**Abb. 9**).
- Die beiden Muttern auf dem Spritzrohr festmachen. Die Düse auf dem Spritzrohr und den Schlauch am Griff befestigen (**Abb. 9**).
- Montage des bei bestimmten Modellen vorhandenen Sockels durch Clipsen oder Schrauben, je nach Modell (**Abb. 8**).
- Den/die bei bestimmten Modellen vorhandene(n) Trageriemen anbringen (**Abb. 10**).
- Den bestimmten Modellen vorhandenen Einfüllfilter für das Füllen des Sprühgeräts einsetzen (**Abb. 11**).

An den Fäden ziehen, um den Filter am Behälterhals abzudichten. Den Filter entfernen, bevor das Sprühergerät wieder geschlossen wird.

- Verstauen des Spritzrohrs nach Verwendung (**Abb. 10**).

- Sprühergerät nicht kompatibel mit dem Druckregler von HOZELOCK-EXEL Ref. 283983

- Sprühergerät nicht kompatibel mit dem ausziehbaren Spritzrohr HOZELOCK Ref. 4107

BETRIEB

INBETRIEBNAHME / SICHERHEITSVORSCHRIFTEN

- Dieses Gerät ist mit einem Schalter ausgestattet, der es erlaubt, die Speisung des Spritzrohrs abzuschalten, sobald der Schalter nicht mehr betätigt wird.

- Dieses Sprühergerät ist mit einem Sicherheitsventil ausgestattet, das den Innendruck des Behälters begrenzt. Es ist auf den Druckwert geeicht, der auf dem Ventil oder dem Behälter verzeichnet ist.

- Es wird empfohlen :

- Das Ventil nicht aus dem Gerät auszubauen.

- Die Funktion des Ventils nicht zu beeinträchtigen.

- Zur Sicherheit des Bedieners muss dieses stets in einwandfreiem Betriebszustand gehalten werden.

- Bevor das Gerät unter Druck gesetzt wird, muss die Funktionstüchtigkeit des Ventils geprüft werden: Ventil von Hand anheben und wieder loslassen. Es muss unverzüglich in seine Ausgangsposition zurückkehren. Wenn dies nicht der Fall ist, darf das Gerät nicht unter Druck gesetzt werden.

- Die Funktionstüchtigkeit des Geräts sicherstellen, indem der Behälter mit einigen Litern Wasser gefüllt und auf diese Weise die Dichtheit geprüft wird.

- Das Gerät darf nicht bei Temperaturen unter 5°C und über 40°C eingesetzt und gelagert werden, weder zur Überwinterung noch in den übrigen Monaten (**Abb. 1 und 2**).

- Die zu sprühende Lösung darf eine Temperatur von 25°C nicht überschreiten (**Abb. 3**).

- Die Behandlung nur bei ruhigem Wetter (Windstille) durchführen.

- Keine explosiven, säurehaltigen und/oder korrodierenden Produkte im Sprühergerät verwenden (**Abb. 4 und 5**).

- Nicht auf Flammen oder Wärmequellen sprühen.

- Schutzkleidung, Handschuhe, Schutzbrille und Schutzmaske tragen (**Abb. 6**).

- Während der Anwendung nicht rauchen, trinken oder essen.

- Beim Sprühen nicht auf Menschen oder Haustiere zielen.

- In angemessenem Abstand zu weiteren Personen und Haustieren sprühen (**Abb. 7**).

- Die Umwelt schützen - nur die zu behandelnden Flächen sprühen.

- Komponenten des Sprühergeräts nur ausbauen, wenn das Gerät nicht mehr unter Druck steht.

- Dieses Gerät darf nicht bei Müdigkeit, Krankheit oder unter Alkohol-, Drogen- bzw. Medikamenteneinfluss eingesetzt werden.

BEFÜLLUNG

- Die Herstellervorschriften der Behandlungsprodukte beachten (Dosierung, Anwendungsweise, Spülvorgang).

- Nur die absolut notwendige Menge des Produkts für eine einzige Anwendung ansetzen. Wir empfehlen, beim Einfüllen einen Filter zu verwenden und ein Überlaufen zu vermeiden.

- Diese Dosierung wird durch die auf dem Behälter sichtbare Skalierung erleichtert.

- Ansetzen der Sprühlösung:

a) Pulverprodukt (löslich oder benetzbar): Die Lösung in einem Eimer ansetzen, bevor sie über die Einfüllöffnung in den Behälter gefüllt wird.

b) Flüssigprodukt (zum Auflösen in Wasser): Den Behälter mit 1 bis 2 Litern Wasser füllen, die Dosis des Flüssigproduktes hinzugeben und mit der gewünschten Menge Wasser auffüllen.

ANWENDUNG

- Je nach Gerät den Füllstopfen oder die Pumpe manuell auf dem Behälter aufschrauben (**Abb. 12**).

- Die Länge des Spritzrohrs (soweit ein ausziehbares Spritzrohr vorhanden ist) beliebig einstellen.

- Um das Gerät unter Druck zu setzen, so lange pumpen, bis das Ventil anspricht (sobald ein Luftstrom ausgestoßen wird) (**Abb. 13**).

- Passende Düse für Ihren Verwendungszweck anbringen. Unser Düsenangebot finden Sie in Ihrem Fachgeschäft.

- Sprühen Sie durch Betätigen des Griffschalters (**Abb. 14**).

- Stellen Sie den Strahl durch Drehen der Düse in beide Richtungen ein (**Abb. 15**).

- Um jede Gefahr von Verstopfung zu vermeiden, muss die Sprühlösung unbedingt in einem anderen Behälter angesetzt werden und durch das mitgelieferte Filter in das Sprühergerät gefüllt werden (**Abb. 11**).

NACH DER BEDIENUNG / REINIGUNG

Nach jeder Anwendung:

- Den möglichen Restdruck im Gerät beseitigen, indem das Sicherheitsventil durch entsprechendes Ziehen oder Drücken des Ventils betätigt wird, oder so lange gesprüht wird, bis kein Druck mehr vorhanden ist.

- Durch Sammeln der Restprodukte und deren Verpackungen mögliche Verschmutzungen vermeiden.

- Nach der Verwendung des Sprühergeräts Hände und Gesicht mit klarem Wasser waschen.

- Das Sprühgerät nicht wegräumen, so lange es unter Druck steht.
- Kein Behandlungsprodukt im Sprühgerät übrig lassen.
- Das Gerät darf nicht längere Zeit Hitze, Sonne oder Kälte ausgesetzt werden (**Abb. 1 und 2**).
- Das Sprühgerät geschützt und außerhalb der Reichweite von Kindern aufbewahren.
- Den Griffilter und den Ansaugfilter im Behälter reinigen, falls das Sprühgerät damit ausgestattet ist.
- Den Einfüllfilter reinigen (**Abb. 23**).
- Wenn gesprüht wird, bis Luft im Strahl erscheint: Den möglichen Restdruck im Sprühgerät beseitigen, indem das Sicherheitsventil (**Abb. 16**) betätigt wird, oder so lange sprühen, bis kein Druck mehr vorhanden ist. Die restliche Flüssigkeitsmenge ist geringer als 250 ml.
- Vor dem Aufbewahren und vor der Verwendung eines anderen Behandlungsprodukts Gerät spülen, d.h. zum Verdünnen 1 Liter Wasser in den Behälter füllen (**Abb.17**), gut mischen und in Betrieb nehmen, um sämtliche Komponenten des Geräts zu spülen. Dieser Vorgang muss durchgeführt werden, ohne das bei der Behandlung verwendete Zubehör vorher abzumontieren. Diese Spülmischung darf auf keinen Fall in die Kanalisation geschüttet werden, sondern muss im Freien auf dem bereits behandelten Gelände versprüht werden.
- Vor dem Überwintern Vorgang mehrmals wiederholen.

- Falls noch ungenutztes Behandlungsprodukt im Sprühgerät übrig ist, den eventuellen Restdruck im Gerät beseitigen, indem das Sicherheitsventil betätigt wird (**Abb.16**). Mögliche Reste des Produkts sammeln und das Sprühgerät wie oben beschrieben erneut ausspülen.

- Spülvorgang vor jedem, selbst unmittelbaren, erneuten Einsatz des Geräts unter Verwendung einer anderen Sprühlösung 3 Mal nacheinander durchführen.

- Vor einem selbst unmittelbaren erneuten Einsatz des Geräts unter Verwendung des gleichen oder eines anderen Produkts die Funktionstüchtigkeit des Geräts (insbesondere des Ventils) prüfen.

WARTUNG / PFLEGE

- Sämtliche Dichtungen regelmäßig, nach dem Überwintern sowie mehrmals pro Saison, fetten (mit Silikonfett für Sprühgeräte) und die Funktionstüchtigkeit des Sprühgeräts (insbesondere des Ventils) prüfen.

- Düse und Düsenhalter reinigen (**Abb. 20**)

- Spritzrohr-Filter reinigen (**Abb. 21**)

- Pumpe abmontieren (**Abb. 22**)

- Ventil und Dichtungen schmieren oder austauschen (**Abb. 22**)

FEHLER / LÖSUNGEN

Probleme	Lösungen
Schwacher oder nicht vorhandener Sprühstrahl	Sicherstellen, dass sämtliche Anschlüsse fest angezogen sind
	Sicherstellen, dass sämtliche Dichtungen geschmiert und sauber sind und keine Schäden oder Abnutzungen aufweisen. Gegebenenfalls austauschen (Kundendienst kontaktieren).
	Düse und Filter reinigen
Der Sprühstrahl ist nicht gerade	Düse reinigen
Tropfen	Sicherstellen, dass sämtliche Anschlüsse fest angezogen sind
	Sicherstellen, dass sämtliche Dichtungen geschmiert und sauber sind und keine Schäden oder Abnutzungen aufweisen. Gegebenenfalls austauschen (Kundendienst kontaktieren).
Defektes Sicherheitsventil	GEFAHR: Gerät nicht mehr unter Druck setzen und Kundendienst kontaktieren

GARANTIEN

ERWEITERUNG DER VERTRAGSGARANTIE

Garantiezeitraum und -umfang:

- Wir gewährleisten ab dem Kaufdatum eine Garantie für unsere Produkte, deren Laufzeit in der Bedienungsanleitung des jeweiligen Produkts bzw. auf dem Produkt vermerkt ist (vertraglich verpflichtende Garantie für 2 Jahre + Erweiterung unserer Vertragsgarantie).

- Bei fehlendem Nachweis des Kaufdatums läuft die Garantie ab dem Herstellungsdatum des Produkts (siehe Angabe auf der Produktunterseite).

Ausnahmen von der Vertragsgarantie:

- Von der Vertragsgarantie ausgeschlossen sind:

- Normale Verschleißteile: Dichtungen, Ventile, Griff, Düse, Leitungen, Tragegurte, Schubstange und Hebel,

- Veränderte Produkte,

- Produkte, die nicht gemäß den technischen Empfehlungen genutzt wurden, die in den Bedienungsanleitungen der einzelnen Produkte vermerkt sind,

- Missbräuchlich genutzte Produkte,
- Produkte, die nicht regelmäßig gewartet werden,
- Beschädigte Produkte (durch Stöße, Herunterfallen, Quetschen, etc.) aufgrund von Nachlässigkeit, mangelnder Wartung, fehlerhaftem oder unsachgemäßem Gebrauch des Produkts,
- Der Austausch von Komponenten nach Verlust einer Komponente des Sprüngeräts.

Nutzung der Garantie:

- Bitte bewahren Sie Ihren Kaufbeleg auf (Rechnung bzw. lesbaren Kassenbon). Er wird zur Geltendmachung der Vertragsgarantie von Ihnen verlangt werden.
- Ein unter Garantie stehendes Produkt, das bereits repariert oder ausgetauscht wurde, behält seinen Garantieanspruch für die restliche Garantielaufzeit und zu den ursprünglichen Bedingungen der beim Kauf ausgestellten Vertragsgarantie. Produkte, die zum Austausch durch ein neues Produkt zurückgesandt werden, werden Eigentum von HOZELOCK-EXEL.

Gesetzliche Garantie

- Die Vertragsgarantie mit ihren oben genannten Bedingungen ersetzt nicht die gesetzliche Garantie.

N **BEDIENINGSINSTRUCTIES**

Een drukspuit is een apparaat onder druk dat explosiegevaar kan meebrengen evenals vloeistofspatten als de in deze handleiding opgenomen instructies niet worden opgevolgd. In geval van twijfel, contact op nemen met de fabrikant.

De oorspronkelijke handleiding is opgesteld en goedgekeurd in het Frans. Alle andere talen zijn vertalingen van het originele document. In het geval van een conflict, onjuistheden of tegenstrijdigheden tussen de Franse en andere talen, is het de Franse versie die prevaleert.

TOEPASSINGSGBIED

Dit apparaat is enkel ontworpen voor de toepassing van FYTOSANITAIRE TUINPRODUCTEN, BIOCONTROLEPRODUCTEN en voor het aanbrengen van RECEPTEN aangeboden of voorgesteld door de fabrikant in het receptenboekje bijgesloten bij dit product of op de website van de fabrikant. Het is belangrijk om strikt de aangegeven hoeveelheden van elk ingrediënt in de RECEPTEN te respecteren. Volg de instructies van de fabrikant voor het gebruik van de genoemde oplossingen. Voor een andere toepassing is het VERPLICHT om de fabrikant te raadplegen.

LET OP: Dit apparaat is niet geschikt om gechloreerde producten, oplosmiddelen op basis van aceton, zuren (behalve azijn), bleekmiddel en zijn derivaten, reinigings- en desinfectiemiddelen te bevatten of te verstuiven.

De drukspuit is compatibel met producten op basis van azijn die toegelaten en te koop zijn op de Zweedse markt als Kraft Attika - lijst beschikbaar op www.kemi.se

INSTRUCTIES

- Monteer de leiding op de dompelbuis en monteer de slang op dit geheel. Monteer de slang op de tank (**Fig.9**).
 - Monteer de slang op het handvat (**Fig.9**).
 - Breng de clip aan op de buis van de spuitmond (**Fig.9**).
 - Breng de twee moeren aan op de buis van de spuitmond. Monteer het spuitstuk op de buis van de spuitmond en de slang op het handvat (**Fig.9**).
 - Montage van de voet aanwezig volgens het model. Dit gebeurt door klikken of schroeven, afhankelijk van het model (**Fig.8**).
 - Monteer de draagband(en), aanwezig afhankelijk van het model (**Fig.10**).
 - Breng de vulfilter op zijn plaats, aanwezig volgens het model, tijdens het vullen van de drukspuit (**Fig.11**). Sluit de filter om de hals door aan de touwtjes te trekken. Verwijder de filter voor het sluiten van de drukspuit.
- Opslag van de spuitmond na gebruik (**Fig.10**).

- Drukspuit niet compatibel met drukregelaar vervaardigd door HOZELOCK-EXEL ref 283983
- Drukspuit niet compatibel met telescopische spuitmond HOZELOCK ref 4107

WERKING

INGEBRUIKNAME / VEILIGHEIDSVOORSCHRIFTEN

- Dit apparaat is uitgerust met een schakelaar, waardoor de toevoer naar de spuitlans wordt afgesloten, zodra de schakelaar niet meer wordt ingedrukt.
- Deze drukspuit is voorzien van een veiligheidsklep om de druk op de klep of het reservoir te beperken tot aangegeven druk.
- Het wordt aanbevolen om:
 - Nooit de klep van het apparaat te demonteren.
 - De werking van de klep niet te verhinderen.
 - Voor uw veiligheid moet de klep in goede werkende staat worden gehouden.
 - Voor elke onderdrukstelling de werking van de klep controleren: hef deze handmatig op, en laat ze dan weer los. De klep moet onmiddellijk naar de uitgangspositie terugkeren. Is dit niet het geval, breng het apparaat dan niet onder druk.
 - Controleer de goede werking van het apparaat door de waterdichtheid te testen met enkele liters water in het reservoir.
 - Het apparaat mag niet worden gebruikt en opgeslagen bij temperaturen onder de 5°C en boven de 40°C tijdens de winter of gedurende de rest van het jaar (**Fig. 1 en 2**).
 - De te verstuiven oplossing mag niet warmer zijn dan 25°C (**Fig. 3**).
 - Behandel alleen bij rustig weer (zonder wind).
 - Gebruik geen explosieve producten, zuren en / of corrosieve middelen in de drukspuit (**Fig. 4 en 5**).
 - Niet spuiten in de richting van vlammen of een warmtebron.
 - Draag beschermende kleding, beschermende handschoenen, bril en een beschermend masker (**Fig. 6**).
 - Rook, drink of eet niet tijdens gebruik.
 - Spuit niet in de richting van personen of huisdieren.
 - Houd derden en huisdieren op een redelijke afstand tijdens het spuiten (**Fig. 7**).
 - Bescherm het milieu, spuit alleen op de te behandelen oppervlakken.
 - Demonteer nooit een element van de spuit, zonder tevoren de druk te hebben afgelaten.
 - Dit product mag niet gebruikt worden in geval van vermoeidheid, ziekte, onder invloed van alcohol, drugs of andere medicatie.

VULLING

- Houd u aan de instructies van de fabrikant van de behandelproducten (dosering, wijze van toepassing, spoelen).

- Maak niet meer klaar dan strikt noodzakelijk is en slechts voor één enkele toepassing. Wij raden u aan een filter te gebruiken bij het vullen en morsen te voorkomen.

- Het doseren gaat gemakkelijk dankzij de zichtbare maatverdeling op het reservoir.

- Het klaarmaken van de te verspuiten oplossing:

a) Producten in poedervorm (oplosbaar of water dispergeerbaar poeder): maak de oplossing klaar in een emmer alvorens deze over te gieten in het reservoir, door de vulopening.

b) Product op vloeibare basis (op te lossen in water): giet 1 tot 2 liter water in het reservoir, giet de dosis van het vloeibare product erbij, vul dit aan met water in de gewenste hoeveelheid.

BIJ GEBRUIK

- Schroef handmatig, afhankelijk van het apparaat, de vuldop of de pomp op de tank (**Fig. 12**).

- Stel bij gebruik van een telescopische spuitlans deze in op de gewenste lengte.

- Pomp op tot het overdrukventiel zich activeert (er wordt lucht uit geblazen) (**Fig. 13**).

- Monteer het geschikte spuitstuk voor uw toepassing. U kunt ons spuitstukkengamma vinden in het gedeelte voor accessoires in uw winkel

- Vernevel door het indrukken van de hendel (**Fig. 14**).

- Ga verder met het regelen van de straal door aanpassing van het spuitstuk in de twee richtingen (**Fig. 15**).

- Om verstoppingen te voorkomen, is het noodzakelijk om de te verstuiven oplossing te bereiden in een ander recipiënt, en dan de voorziene filter te gebruiken bij het vullen van de drukspuit (**Fig.11**).

NA GEBRUIK / REINIGING

Na elk gebruik:

- Elimineer de overblijvende druk kan door bediening van de veiligheidsklep, door er aan te trekken of er op te duwen volgens het geval, of door te spuiten tot er geen druk meer achterblijft.

- Zorg dat het niet gebruikte product en de verpakking het milieu niet kunnen vervuilen.

- Handen en gezicht te wassen met schoon water na het gebruik van de drukspuit.

- Berg nooit een spuit op die nog onder druk staat.

- Bewaar nooit een actief product in de spuit.

- Laat het apparaat niet in de warmte, de zon of de koude achter (**Fig. 1 en 2**).

- Bewaar de drukspuit in een beschutte omgeving, buiten het bereik van kinderen.

- Reinig de handgreepfilter en de aanzuigfilter in het reservoir indien deze daarmee is uitgerust.

- Maak de vulfilter schoon (**Fig.23**)

- Door te spuiten totdat er lucht uit de straal komt: laat de eventuele restdruk uit het apparaat ontsnappen door de veiligheidsklep (Fig. 16) in werking te stellen of te spuiten tot er geen druk meer is. Het restvolume van de vloeistof is minder dan 250 ml.

- Vóór opslag en voordat de drukspuit met een ander product wordt gebruikt, moet deze worden gespoeld, dat wil zeggen voeg 1 liter water in het reservoir toe om te verdunnen (Fig.17), goed mengen en deze laten werken voor het spoelen van alle componenten van het apparaat. Dit spoelen moet gebeuren zonder het verwijderen van de accessoires gebruikt tijdens de behandeling. Dit spoelmengsel mag nooit in het riool worden afgevoerd, maar moet worden verstoven op het reeds behandelde terrein.

- Herhaal dit een paar keer vóór de winter.

- Als u een deel van het niet gebruikte middel overhoudt, laat dan de eventueel in het apparaat achtergebleven druk ontsnappen door de veiligheidsklep in werking te stellen (Fig.16). Vang het overgebleven product op en spoel de drukspuit door zoals hierboven aangegeven.

- Voor gebruik, zelfs onmiddellijk, met verschillende oplossing, herhaal 3 keer de spoeling.

- Voordat u de spuit opnieuw gebruikt, zelfs onmiddellijk na een vorig gebruik, met hetzelfde of een ander behandelproduct, dient u steeds de goede werking van de drukspuit te controleren (met name van de veiligheidsklep).

ONDERHOUD / ONDERHOUD

- Smeer periodiek, na de winter bij het opnieuw opstarten en een paar keer per seizoen, alle pakkingen in (siliconevet voor drukspuit) en controleer de goede werking van drukspuit (met name van de klep).

- Maak het spuitstuk en de spuitstukhouder schoon (Fig.20)

- Reinig de spuitmondfilter (Fig.21)

- Demonteer de pomp (Fig.22)

- Smeer of vervang de sluitklep en de dichtingen (Fig.22)

TORINGEN / OPLOSSINGEN

Problemen	Oplossingen
Weinig of geen verstuviging	Zorg ervoor dat alle aansluitingen goed vast zitten
	Ervoor zorgen dat alle dichtingen gesmeerd en schoon zijn, evenals niet beschadigd of versleten. Indien nodig vervangen (neem contact op met servicedienst)
	Maak het spuitstuk schoon en de filters
Het spuiten gebeurt niet recht	Maak het spuitstuk schoon

Problemen	Oplossingen
Lekken	Zorg ervoor dat alle aansluitingen goed vast zitten
	Ervoor zorgen dat alle dichtingen gesmeerd en schoon zijn, evenals niet beschadigd of versleten. Indien nodig vervangen (neem contact op met servicedienst)
Defecte veiligheidsklep	GEVAAR: Het apparaat niet meer onder druk stellen Neem contact op met de klantenservice

GARANTIES

UITBREIDING VAN DE CONTRACTUELE GARANTIE

Duur en omvang van de garantie:

- Wij garanderen onze producten voor een bepaalde periode die is aangegeven in de bijgevoegde instructies die specifiek zijn voor het product of op het product zelf, en dit vanaf de datum van aankoop (Verplichte contractuele garantie verlengd tot 2 jaar + uitbreiding van onze contractuele garantie).

- Bij gebreke aan bewijs van de datum van aankoop van producten, loopt de garantie vanaf de datum van fabricage van het product (vermeldt op het product).

Uitsluiting van de Contractuele Garantie:

De contractuele garantie geldt niet voor:

- De normale slijtdelen: dichtingen, kleppen, handgreep, spuitstuk, slangen, draagriemen, drijfstang en de zwengel,

- Gemodificeerde producten,

- De producten waarvan het gebruikt in tegenspraak is met de technische aanbevelingen van de Gebruikershandleiding van het product,

- De producten die niet worden gebruikt voor het beoogd gebruik,

- De producten die geen regelmatig onderhoud hebben ondergaan,

- Productslijtage (schokken, vallen, breken, enz ...) vanwege verwaarlozing, gebrek aan onderhoud, gebrekkige of abnormaal gebruik van het product,

- De vervanging van een onderdeel, na verlies van een van de onderdelen van de drukspuit.

Werking van de garantie :

- Wij vragen dat u uw aankoopbewijs (factuur of leesbare kasticket) te bewaren, die in het geval van de toepassing van de contractuele garantie zal worden gevraagd.

- Een product onder garantie dat is hersteld of vervangen, blijft gegarandeerd voor de resterende looptijd en de oorspronkelijke voorwaarden van de contractuele garantie verleend bij de aankoop.

Elk product dat is geretourneerd wordt eigendom van HOZELOCK-EXEL wanneer het wordt vervangen door een nieuw product.

Wettelijke garantie

- De contractuele garantie, waarvan de voorwaarden hierboven worden uiteengezet, is geen vervanging van de juridische garantie.

E **MANUAL DE INSTRUCCIONES**

El pulverizador es un aparato bajo presión susceptible, si no se cumplen las consignas recogidas en la presente guía, de ocasionar explosiones con proyecciones de líquido. Si tiene alguna duda, consulte con el constructor.

El manual original se ha redactado y aprobado en francés. Las versiones en todos los demás idiomas son traducciones del original. En caso de conflictos, imprecisiones o discrepancias entre el francés y los otros idiomas, prevalecerá la versión francesa.

ÁMBITO DE APLICACIÓN

Este aparato se ha diseñado exclusivamente para la aplicación de productos FITOSANITARIOS DE JARDÍN, productos de BIOCONTROL, así como para la aplicación de RECETAS presentadas o propuestas por el fabricante en el libro de recetas suministrado con el producto o en la página web del fabricante. Es importante respetar escrupulosamente las cantidades de cada ingrediente de las RECETAS. Seguir las instrucciones de uso del fabricante de dichas soluciones. Para el resto de aplicaciones, es IMPERATIVO consultar con el fabricante.

ATENCIÓN: Este aparato no debe contener ni pulverizar productos clorados, con disolventes, productos a base de acetona y de base ácida (salvo vinagre), lejías, productos detergentes ni desinfectantes.

Pulverizador compatible con productos a base de vinagre autorizados para la venta en el mercado sueco como Kraft Attika. Lista disponible en www.kemi.se. »

INSTRUCCIONES

- Montar la tubería sobre el tubo inmersor y, a continuación, montar el caño sobre dicho conjunto. Montar la tubería sobre el depósito (**Fig. 9**).
- Montar la tubería sobre el mango (**Fig. 9**).
- Montar el clip sobre el tubo de la manga (**Fig. 9**).
- Montar las dos tuercas en el tubo de la manga. Montar la boquilla en el tubo de la manga y este último en el mango (**Fig. 9**).
- Montaje de la base (presente según el modelo) mediante clipsado o roscado según el modelo (**Fig. 8**).
- Montar el (o las) asa(s) de transporte, presente(s) según el modelo (**Fig. 10**).
- Colocar el filtro de llenado (presente según el modelo) al llenar el pulverizador (**Fig. 11**). Cerrar herméticamente el filtro en el cuello tirando de los cordeles. Quitar el filtro antes de cerrar el pulverizador.
- Recoger la lanza tras utilizar el pulverizador (**Fig. 10**).
- Pulverizador no compatible con el regulador de presión fabricado por HOZELOCK-EXEL ref.: 283983.
- Pulverizador no compatible con la manga telescópica HOZELOCK ref.: 4107.

FUNCIONAMIENTO

FUNCIONAMIENTO Y NORMAS DE SEGURIDAD

- Este aparato incluye un interruptor que permite interrumpir la alimentación de la lanza al soltarlo.

- El pulverizador lleva una válvula de seguridad calibrada a la presión indicada en la válvula o en el depósito y que limita la presión dentro del depósito.

- Recomendamos:

- No quitar nunca la válvula del aparato.

- No obstaculizar el funcionamiento de la válvula.

- Por su seguridad, mantener la válvula en perfecto estado de funcionamiento.

- Con cada puesta bajo presión, compruebe antes que la válvula funciona correctamente: levántela manualmente y suéltela. Debe volver instantáneamente a su posición inicial. Si no es así, no ponga el aparato bajo presión.

- Comprobar que el aparato funciona correctamente: verifique la estanquidad vertiendo unos litros de agua en el depósito.

- El aparato no debe utilizarse ni almacenarse a temperaturas inferiores a 5 °C ni superiores a 40 °C durante el invierno ni durante el resto del año (Fig. 1 y 2).

- La solución por pulverizar no estar a una temperatura superior a 25°C (Fig. 3).

- Aplíquela únicamente los días sin viento.

- No utilice productos explosivos, ácidos ni corrosivos dentro del pulverizador (Fig. 4 y 5).

- No pulverice en dirección de llamas ni fuentes de calor.

- Lleve un equipo de protección personal: ropa, guantes, gafas y máscara (Fig. 6).

- No fume, beba ni coma mientras lo utiliza.

- No pulverice hacia personas ni animales domésticos.

- Las demás personas y los animales domésticos deben mantenerse a una distancia razonable durante la pulverización (Fig. 7).

- Proteja el medio ambiente: pulverice únicamente las superficies que requieran tratamiento.

- Nunca desmonte un elemento del pulverizador sin antes quitar la presión.

- Este aparato no debe utilizarse en caso de fatiga o enfermedad ni bajo la influencia de alcohol, drogas o medicamentos.

LLENADO

- Siga las instrucciones del fabricante de productos de tratamiento (dosificación, modo de aplicación y aclarado).

- Prepare únicamente la cantidad de producto estrictamente necesaria para una sola aplicación. Le recomendamos que utilice un filtro para llenarlo y evitar que rebose.

- La graduación visible en el depósito facilita la dosificación.

- Preparación de la solución por pulverizar:

a) Productos en polvo (solubles o mojables): prepare la solución en un cubo antes de traspasarla al depósito por el orificio de llenado.

b) Productos de base líquida (que se deban diluir en agua): vierta entre 1 y 2 litros de agua dentro del depósito, vierta la dosis correspondiente de producto líquido y rellene el depósito de agua hasta el nivel deseado.

DURANTE SU UTILIZACIÓN

- Enrosque manualmente el tapón de llenado o la bomba sobre el depósito (Fig.12).

- Ajuste la longitud de la lanza como prefiera si es telescópica.

- Bombee para ponerlo a presión hasta que arranque la válvula (hasta que salga aire) (Fig. 13).

- Monte la boquilla adecuada al uso que quiera. Encontrará nuestras boquillas en la sección de accesorios de la tienda.

- Pulverice pulsando el interruptor de la empuñadura (Fig. 14).

- Ajuste el chorro girando la boquilla en ambos sentidos (Fig. 15).

- Para evitar todo riesgo de taponamiento, hay que preparar la solución por pulverizar en otro recipiente y luego utilizar el filtro suministrado durante el llenado del pulverizador (Fig. 11)

TRAS SU UTILIZACIÓN / LIMPIEZA

Después de cada utilización:

- Elimine la presión residual que podría quedar en el aparato accionando la válvula de seguridad: tire de ella o presiónela, según el caso, o pulverice hasta que no quede presión.

- Para evitar riesgos de contaminación, recupere el producto no utilizado junto con su embalaje.

- Lávese las manos y el rostro con agua limpia después de utilizar el pulverizador.

- No guarde nunca el pulverizador sin quitar la presión.

- No conserve nunca el producto de tratamiento dentro del pulverizador.

- No deje el aparato expuesto al calor, al sol, ni al frío (Fig. 1 y 2).

- Guarde el pulverizador en un lugar resguardado y fuera de alcance de los niños.

- Limpie el filtro de la empuñadura y el filtro de aspiración del interior del depósito (si el pulverizador dispone de ellos).

- Limpie el filtro de llenado (Fig. 23)

- Si pulveriza hasta la aparición de aire en el chorro: elimine la presión residual que pueda quedar dentro del pulverizador activando la válvula de seguridad (Fig. 16), o pulverice hasta que no quede presión. El volumen residual de líquido es inferior a 250 ml.

- Antes de guardar el aparato y antes de volver a usarlo con otro producto de tratamiento, aclárelo: añada 1 litro de agua al depósito para diluir el producto (Fig.17), mézclela bien y haga funcionar el aparato para enjuagar todos los componentes del pulverizador.

Aclare el aparato sin desmontar los accesorios utilizados durante el tratamiento. No vierta la mezcla de enjuague en el desagüe: pulverícela fuera, sobre el terreno ya tratado.

- Repita la operación varias veces antes del invierno.
- Si queda producto de tratamiento sin utilizar, elimine la presión residual que pueda quedar dentro del aparato accionando la válvula de seguridad (Fig. 16). Recupere el producto sobrante y vuelva a aclarar el pulverizador como se ha indicado.

- Antes de volver a utilizarlo para pulverizar otra disolución, aunque sea justo después, se debe aclarar tres veces seguidas.

- Antes de volver a utilizarlo con el mismo producto de tratamiento u otro producto, aunque sea justo después, compruebe que el pulverizador funciona correctamente (en particular, la válvula).

NTENIMIENTO Y LIMPIEZA

- Periódicamente, al reiniciar el aparato tras el invierno y varias veces cada temporada, engrase todas las juntas (con una grasa de silicona para pulverizador) y compruebe que el pulverizador funciona correctamente (en particular, la válvula).
- Limpiar la boquilla y el portaboquillas (Fig. 20).
- Limpiar el filtro de la manga (Fig. 20).
- Desmontar la bomba (Fig. 22).
- Engrasar o sustituir la válvula y las juntas (Fig. 22).

FALLOS / SOLUCIONES

Problemas	Soluciones
Pulverización débil o ausente	Compruebe que todos los racores estén bien apretados
	Asegúrese de que todas las juntas estén lubricadas y limpias y que no están deterioradas ni desgastadas. Cámbielas en caso necesario (contacte con el servicio de atención al cliente).
La pulverización no sale recta	Limpie la boquilla
Fugas	Compruebe que todos los racores estén bien apretados
	Asegúrese de que todas las juntas estén lubricadas y limpias y que no están deterioradas ni desgastadas. Cámbielas en caso necesario (contacte con el servicio de atención al cliente).

Problemas	Soluciones
Válvula de seguridad defectuosa	PELIGRO: no ponga el aparato bajo presión. Contacte con el servicio de atención al cliente

GARANTÍA

EXTENSIÓN DE LA GARANTÍA CONTRACTUAL

Duración y extensión de la Garantía:

- Nuestros productos están cubiertos por una garantía cuya duración se precisa en el manual suministrado con el producto o a partir de la fecha de compra (Garantía Contractual Obligatoria de 2 años + Extensión de nuestra Garantía Contractual).

- Si no se dispone de pruebas que demuestren la fecha de compra de los productos, la Garantía pasará a aplicarse a partir de la fecha de fabricación del producto (indicada en la parte inferior del producto).

Exclusiones de la Garantía Contractual

La Garantía Contractual no cubre:

- Las piezas de desgaste: juntas, cierres, empuñadura, boquilla, tubos, correas, biela y palanca,
- Los productos modificados,
- Los productos que se utilicen incumpliendo las recomendaciones técnicas del Manual de Uso del producto,
- Los productos que se usen indebidamente,
- Los productos no sometidos a un mantenimiento periódico,
- Los deterioros del producto (golpes, caídas, aplastamientos, etc.) debidos a negligencias, falta de mantenimiento o usos indebidos o anómalos del producto,
- El reemplazo de componentes del pulverizador que se hayan perdido.

Funcionamiento de la Garantía:

- Conserve la prueba de compra (factura o recibo de caja legible), ya que deberá presentarla para poder aplicar la Garantía Contractual.

- Si un producto cubierto por la garantía se repara o se cambia por otro, quedará cubierto durante el periodo restante y con las condiciones iniciales de la Garantía Contractual concedida al comprar el producto. Todos los productos devueltos pasarán a ser propiedad de HOZELOCK-EXEL al ser reemplazados por un producto nuevo.

Garantía Legal

- La Garantía Contractual, cuyas condiciones se detallan más arriba, no sustituye a la Garantía Legal.

En tryckspruta är en trycksatt apparat som kan medföra explosionsrisk, med utsprutande vätska, om föreskrifterna i denna bruksanvisning inte respekteras. Samråd med tillverkaren om du är osäker.

Bruksanvisningen har ursprungligen skrivits och godkänts på franska. Alla andra språkversioner är översättningar av originalet. Vid bristande överensstämmelse, oklarhet eller skillnad mellan franska och annat språk gäller den franska versionen.

ANVÄNDNINGSSOMRÅDE

- Denna apparat är endast avsedd att användas med växtskyddsprodukter för trädgårdar och med blandningar som föreslås eller erbjuds av tillverkaren i den broschyr som medföljer produkten eller som återfinns på tillverkarens webbplats. Det är viktigt att till punkt och pricka respektera mängderna för samtliga ingredienser som ingår i blandningarna.

Respektera tillverkarens anvisningar för användningen av dessa lösningar. Samråd måste ske med tillverkaren för eventuell annan användning.

OBSERVERA: Denna apparat får inte innehålla eller spruta klorhaltiga produkter, lösningsmedelsbaserade medel, aceton- eller syrabaserade produkter (utom vinäger), klorblekmedel, tvättmedelsprodukter eller desinficeringsmedel.

Sprutan är kompatibel med produkter baserade på vinäger som har tillåtelse att saluföras på den svenska marknaden, såsom Kraft ättika; en lista återfinns på www.kemi.se.

MONTERING

- Montera rörledningen på flottörslangen och montera sedan slangen på denna enhet. Montera rören på behållaren (**Fig. 9**).
- Montera rören på handtaget (**Fig. 9**).
- Montera clipset på spjutslangen (**Fig. 9**).
- Montera de två muttrarna på spjutslangen. Montera munstycket på spjutslangen och slangen på handtaget (**Fig. 9**).
- Montera den sockel som, beroende på modell, finns genom att clipsa eller skruva fast den (**Fig. 8**).
- Montera den eller de axelremmar som, beroende på modell, finns (**Fig. 10**).
- Se till att påfyllningsfiltret, som finns beroende på modell, sitter på plats vid påfyllning av sprutan (**Fig. 11**). Fixera filtret på halsen genom att dra i ströpparna. Ta bort filtret innan du åter stänger sprutan.
- Förvaring av spjutet efter användning (**Fig. 10**)
- Sprutan är inte kompatibel med den tryckregulator som tillverkas av HOZELOCK-EXEL med ref. 283983

- Sprutan är inte kompatibel med det teleskopiska spjutet från HOZELOCK med ref. 4107

ANVÄNDNING

IDRIFTSÄTTNING/SÄKERHETSFÖRESKRIFT

- Denna apparat är försedd med en brytare som kan bryta spjutets matning när brytaren inte längre hålls nedtryckt.

- Denna tryckspruta har en säkerhetsventil som är tarerad till det tryck som anges på ventilen eller på behållaren och som begränsar trycket inne i behållaren.

- Rekommendationer:

- Aldrig demontera apparatens ventil.

- Inte störa ventilens funktion.

- Den måste, för din säkerhets skull, hela tiden fungera perfekt.

- Kontrollera före varje trycksättning att ventilen fungerar som den ska: lyft upp den för hand och släpp den. Den ska omedelbart gå tillbaka till sitt ursprungsläge. I annat fall ska apparaten inte trycksättas.

- Säkerställ att apparaten fungerar som den ska genom att kontrollera att den är tät med hjälp av några liter vatten i behållaren.

- Apparaten får inte användas eller förvaras vid lägre temperatur än 5°C eller högre än 40°C – såväl under vinterförvaring som under resten av året (**Fig. 1 och 2**).

- Den lösning som ska sprutas ut får inte vara varmare än 25°C (**Fig. 3**).

- Använd endast vid stilla väder (ingen vind).

- Använd inga explosiva, sura och/eller frätande produkter i trycksprutan (**Fig. 4 och 5**).

- Spruta inte i riktning mot öppen låga eller värmekälla.

- Bär skyddskläder, skyddshandskar, skyddsglasögon och ansiktsskydd (**Fig. 6**).

- Du får inte röka, dricka eller äta något under användning.

- Spruta inte riktning mot personer eller husdjur.

- Håll utomstående och husdjur på rimligt avstånd medan du sprutar (**Fig. 7**).

- Skydda miljön genom att bara spruta på ytor som ska behandlas.

- Demontera aldrig någon av trycksprutans delar utan att först ha gjort den trycklös.

- Denna apparat får inte användas av någon som är trött, sjuk eller påverkad av alkohol, droger eller läkemedel.

PÅFYLLNING

- Respektera anvisningarna från tillverkaren av den produkt som används (dosering, användningsmetod, sköljning).

- Blanda aldrig större mängd produkt än som absolut behövs och endast för ett användningstillfälle. Vi rekommenderar att man använder ett filter vid påfyllning och undviker att fylla på för mycket.

- Den gradering som finns på behållaren gör det lätt att dosera.

- Blanda den lösning som ska sprutas:

a) Produkt i form av pulver (lösligt eller emulgerbart): blanda i ett spann innan du håller över i behållaren via påfyllningsöppningen.

b) Vätskebaserad produkt (spädbar i vatten): håll i 1-2 liter vatten i behållaren, håll i önskad dos av produkten i vätskeform och fyll sedan på med önskad mängd vatten.

VID ANVÄNDNING

- Skruva för hand, beroende på apparat, på påfyllningskork eller pump på behållaren (Fig. 12)

- Pumpa för att trycksätta tills ventilen löser ut (när luft trycks ut) (Fig. 13).

- Trycksätt alltid sprutan med hjälp av den medföljande pumpen.

- Spruta genom att trycka på handtagets brytare (Fig. 14).

- Ställ in strålen genom att vrida munstycket åt önskat håll (Fig. 15).

- För att undvika eventuell risk för igensättning är det mycket viktigt att den lösning som ska sprutas bereds i ett annat kärl och att det medföljande filtret sedan används när sprutan fylls på (Fig.11).

EFTER ANVÄNDNING/RENGÖRING

Efter varje användning:

- Släpp ut det tryck som kan finnas kvar i apparaten genom att dra i eller trycka på säkerhetsventilen eller genom att spruta tills det inte längre finns något tryck kvar.

- Undvik föroreningsrisk genom att ta hand om ej använd produkt och dess emballage.

- Tvätta händer och ansikte i rent vatten efter att ha använt trycksprutan.

- Förvara aldrig trycksprutan trycksatt.

- Ha aldrig kvar produkt i behållaren under förvaring.

- Utsätt aldrig apparaten för värme, solljus eller kyla (Fig. 1 och 2).

- Förvara trycksprutan på skyddad plats, utom räckhåll för barn.

- Rengör handtagsfiltret och insugsfiltret i behållaren om trycksprutan har ett sådant.

- Rengör påfyllningsfiltret (Fig.23)

- Om du sprutar tills luft uppträder i sprutstrålen: släpp ut det tryck som kan finnas kvar i trycksprutan genom att aktivera säkerhetsventilen (Fig. 16) eller genom att spruta tills det inte längre finns något tryck kvar. Resterande volym är mindre än 250 ml.

- Skölj apparaten innan du ställer undan och innan den används med en annan produkt. Du gör det genom att fylla behållaren med en liter vatten för att späda ut innehållet i den (Fig. 17), blanda väl och spruta för att skölja ut alla apparatens delar. Sköljningen ska göras utan att de tillbehör som använts vid behandlingen demonteras.

Denna sköljblandning får under inga omständigheter hållas ut i avloppet, utan ska sprutas ut utomhus på ytor som redan behandlats

- Före vinterförvaring upprepas sköljningen flera gånger.

- Om det fortfarande finns kvar oanvänd produkt släpper du ut det tryck som kan finnas kvar i apparaten genom att aktivera säkerhetsventilen (Fig. 12). Samla upp eventuell resterande produkt och skölj trycksprutan igen enligt anvisningarna ovan.

- Gör om sköljrutinen tre gånger efter varandra före varje ny användning med en annan sprutlösning, även om den följer omedelbart på en annan.

SERVICE/UNDERHÅLL

-Fetta regelbundet, vid start efter vinterförvaring och flera gånger under säsongen, in samtliga packningar (med silikonfett för trycksprutor) och kontrollera att trycksprutan fungerar väl (särskilt ventilen).

- Rengör munstycke och munstyckshållare (Fig. 20)

- Rengör spjutets filter (Fig. 21)

- Demontera pumpen (Fig. 22)

- Smörj eller byt backventil och packningar (Fig. 22)

- Kontrollera att trycksprutan fungerar väl (särskilt ventilen) före varje ny användning, även om den följer omedelbart på annan användning och även om det rör sig om samma produkt).

FEL/LÖSNINGAR

Problem	Lösning
Svag eller ingen sprutstråle	Kontrollera att alla anslutningar är väl åtdragna
	Kontrollera att alla packningar är smorda och rena och inte skadade eller slitna. Byt vid behov (kontakta kundtjänsten).
	Rengör munstycke och filter
Sprutstrålen är inte rak	Rengör munstycket
Läckage	Kontrollera att alla anslutningar är väl åtdragna
	Kontrollera att alla packningar är smorda och rena och inte skadade eller slitna. Byt vid behov (kontakta kundtjänsten).
Fel på säkerhetsventilen	FARA: Trycksatt inte apparaten Kontakta kundtjänst

FÖRLÄNGD AVTALSGARANTI*Garantiperiod och garantins omfattning:*

- Vi lämnar garanti för våra produkter från inköpsdagen under den tid som anges i den särskilda bruksanvisning som medföljer produkten eller på produkten (obligatorisk avtalsgaranti utsträckt till två år + förlängning av vår avtalsgaranti).

- I avsaknad av bevis på inköpsdag för en produkt börjar garantin löpa från produktens tillverkningsdag (anges på undersidan av produkten).

Undantag från avtalsgarantin:

Avtalsgarantin omfattar inte:

- Normala slitdelar: packningar, ventiler, handtag, munstycke, bärselar, stång och spak,
- Produkt som ändrats,
- Produkt som använts i strid med de tekniska rekommendationer som finns i de bruksanvisningar som medföljer produkten,
- Produkt som missbrukats,
- Produkt som inte blivit föremål för regelbundet underhåll,
- Skada på produkt (slag, fall, stöt osv.) till följd av vårdslöshet, bristande underhåll, felaktig eller onormal användning av produkten,
- Byte av komponent efter att någon av trycksprutans komponenter har förlorats.

Så fungerar garantin:

- Du bör spara inköpsbeviset (faktura eller läsligt kassakvitto), som ska företes vid krav enligt avtalsgarantin.

- En produkt som omfattas av garantin och som reparerats eller bytts ut omfattas fortsatt av garantin under den tid som återstår och enligt de villkor för avtalsgarantin som ursprungligen gällt. Varje produkt som returneras blir egendom tillhörande HOZELOCK-EXEL när den byts ut mot en ny produkt.

Garanti enligt lag

- Den avtalsgaranti vars villkor beskrivs ovan träder inte i stället för garantin enligt lag.

Ruisku on paineella toimiva laite, jonka käyttöön voi liittyä räjähdysvaara ja nesteen purkautumista, mikäli tässä ohjeessa kirjoitettuja ohjeita ei noudateta. Jos olet epävarma laitteen käytöstä, ota yhteys valmistajaan.

Alkuperäinen hyväksyty käyttöohje on kirjoitettu ranskaksi. Kaikki muut kieliversiot on käännetty alkuperäisestä tekstistä. Jos ranskan ja muunkielisten versioiden kesken on ristiriitoja, epätarkkuuksia tai eroavaisuuksia, ranskankielinen versio on vallitseva versio.

KÄYTTÖTARKOITUS

Tämä laite on suunniteltu ainoastaan PUUTARHAN KASVINSUOJELUJAINETUOTTEIDEN ja BIOLOGISTEN TORJUNTA-AINEIDEN käyttöön sekä valmistajan tarjoamien tai ehdottamien RESEPTIEN käyttöä varten. Nämä reseptit löytyvät liitteenä olevasta reseptilehtisestä tai valmistajan verkkosivulta. On ehdottoman tärkeää noudattaa RESEPTIEN kunkin ainesosan määriä tarkasti. Noudata yllä mainittujen liuoksien valmistajan antamia käyttöohjeita. Kaikissa muissa käyttösovelluksissa MUISTA kysyä valmistajan mielipidettä.

HUOMIO: Tämä laite ei saa sisältää tai sillä ei saa ruiskuttaa kloori- tai liuotinpohjaisia aineita, asetoni- tai happopohjaisia aineita (paitsi etikkaa), valkaisuaineita, pesuaineita ja desinfioivia aineita.

Etikkapohjaisten aineiden kanssa yhteensopivaa myyntiin sallittua paineruiskua löytyy ruotsalaisilla markkinoilla, kuten Kraft Attika - Lista saatavilla osoitteessa www.kemi.se. »

KIINNITYS

- Kiinnitä putket nousuputkeen ja kiinnitä putki sitten kokoonpanoon. Kiinnitä putket säiliöön **(Kuva 9)**.

- Kiinnitä putket kahvaan **(Kuva 9)**.

- Kiinnitä pidike ruiskuputkeen **(Kuva 9)**.

- Kiinnitä kaksi mutteria ruiskuputkeen. Kiinnitä suutin ruiskuputkeen ja putki kahvaan **(Kuva 9)**.

- Kehyksen kiinnitys, mallikohtaisesti, napsauttamalla tai ruuvaamalla **(kuva 8)**.

- Kiinnitä mallikohtaisesti mukana tuleva(t) kantohihna(t) **(Kuva 10)**.

- Aseta mallikohtaisesti mukana tuleva täyttösudatin ruiskun täytön aikana **(Kuva 11)**. Sinetöi sudatin ruiskunkaulaan vetämällä naruista. Poista sudatin ennen ruiskun sulkemista.

- Ruiskuletkun säilytys käytön jälkeen **(Kuva 10)**.

- Ruisku ei ole yhteensopiva HOZELOCK-EXELin valmistaman paineensäätimen (viitenro 283983) kanssa

- Ruisku ei ole yhteensopiva HOZELOCKin teleskooppisen ruiskuletkun (viitenro 4107)kanssa

TOIMINTA

KÄYTTÖÖNOTTO / TURVALLISUUSSÄÄNNÖT

- Tässä laitteessa on katkaisin, jonka avulla ruiskuletkun virta voidaan katkaista, kun katkaisinta ei enää valvota.
- Tässä ruiskussa on turvaventtiili, joka on säädetty venttiiliin tai säiliöön kirjattuun paineeseen, mikä rajoittaa säiliön sisällä olevaa painetta.
- Suositukset laitteen käyttöä varten:
- Älä koskaan pura venttiiliä laitteesta.
- Älä häiritse venttiilin toimintaa.
- Turvallisuutesi vuoksi venttiilin on säilyttävä täydellisessä toimintakunnossa.
- Ennen paineen nostamista tarkista venttiilin toimintakunto: nosta sitä käsin ja irrota se otteestasi. Venttiilin tulee palata välittömästi takaisin alkuperäiseen asentoonsa. Jos näin ei tapahdu, älä nosta laitteen painetta.
- Varmista laitteen hyvän toimintakunto tarkistamalla säiliön tiiviyys lisäämällä säiliöön muutama litra vettä.
- Laitetta ei saa käyttää eikä säilyttää alle 5 °C ja yli 40 °C lämpötiloissa talvisäilytyksen aikana sekä muina vuodenaikoina (Kuvat 1 ja 2).
- Ruiskutusaineen lämpötila ei saa olla yli 25 °C (Kuva 3).
- Käytä laitetta vain tyynellä ilmalla (tuuleton).
- Älä käytä räjähdysherkkiä aineita, happoja ja/ tai syövyttäviä aineita ruiskussa (Kuvat 4 ja 5).
- Älä käytä ruiskua liekkeihin tai lämpölähteeseen päin.
- Käytä suojavaatteita, -käsineitä, -laseja ja -maskia (Kuva 6).
- Älä polta, juo tai syö käytön aikana.
- Älä ruiskuta ihmisiin tai kotieläimiin päin.
- Varmista, että muut ihmiset ja kotieläimet pysyvät riittävän kaukana ruiskutuksen aikana (Kuva 7).
- Suojele ympäristöä, ruiskuta vain käsiteltäviä pintoja.
- Älä koskaan pura ruiskua, jos et ole ennalta tyhjentänyt painetta.
- Laitetta ei saa käyttää väsyneenä, sairaana, alkoholin, huumeiden tai lääkkeiden vaikutuksen alaisena.

TÄYTTÖ

- Noudata käsittelyaineiden valmistajan ohjeita (annostelu, käyttötapa, huuhtelu).
- Valmistaa vain tarvittava määrä ainetta ja aina vain yhdelle käytölle kerrallaan. Suosittelemme käyttämään suodatinta täyten aikana aineen ylivuotamisen välttämiseksi.
- Annostelu on helppo tehdä säiliössä näkyvän mitta-asteikon avulla.
- Ruiskutettavan aineen valmistelu:
 - a) jauhemainen aine (liukeneva tai laimennettava): valmistelee aine ampärissä ennen kuin kaadat sen säiliöön täyttöaukon kautta.

b) nestemäinen aine (veteen liukeneva): laita 1–2 litraa vettä säiliöön, kaada annos nestemäistä ainetta ja lisää tarvittaessa vettä halutun nestemäärän saamiseksi.

KÄYTTÖ

- Kierrä käsin, riippuen laitteesta, säiliön täyttökorkkia tai pumppua (Kuva 12).
- Pumppaa laitetta paineen nostamiseksi, kunnes venttiili aukeaa (heti, kun laitteesta pääsee ilmaa) (Kuva 13).
- Lisää ruiskun painetta ainoastaan ruiskun sisältämällä pumppulla.
- Ruiskuta ainetta painamalla kahvan kytkintä (Kuva 14).
- Sääda suihkua kääntämällä suutinta molempiin suuntiin (Kuva 15).
- Tukkeutumisen estämiseksi ruiskutettava aine on valmistettava toisessa astiassa, ja mukana toimitettava suodatinta on käytettävä, kun paineruisku täytetään aineella (Kuva 11).

KÄYTÖN JÄLKEEN / PUHDISTUS

Jokaisen käytön jälkeen:

- Tyhjennä laitteeseen mahdollisesti jäänyt paine avaamalla turvaventtiili joko vetämällä tai työntämällä sitä tilanteen mukaan tai ruiskuttamalla laitteella, kunnes laitteessa ei ole enää painetta.
- Vältä saastumisriskiä keräämällä talteen käyttämättä jäänyt aine ja sen pakkaus.
- Pese kädet ja kasvot puhtaalla vedellä ruiskun käytön jälkeen.
- Älä koskaan laita säilytykseen ruiskua, jota ei ole tyhjenetty paineesta.
- Älä koskaan säilytä käsittelyainetta ruiskun sisällä.
- Älä jätä laitetta liian kuumaan tai kylmään paikkaan tai auringonpaisteeseen (Kuvat 1 ja 2).
- Säilytä paineruisku suojaisassa paikassa kaukana lasten ulottuvilta.
- Puhdista kahvan suodatin ja säiliön imusuodatin, mikäli paineruisku on varustettu sellaisella.
- Puhdista täyttösuoatinta (Kuva 23)
- Jos ruiskutat ainetta niin kauan, että laitteen suihkusta tulee ilmaa: poista laitteeseen jäänyt paine avaamalla turvaventtiili (Kuva 16) tai ruiskuta laitteella, kunnes laitteessa ei ole enää painetta. Laitteessa jäljellä oleva nesteen määrä on alle 250 ml.
- Ennen säilytystä ja aina ennen laitteen käyttöä toisella käsittelyaineella huuhtele laite. Lisää säiliöön litra vettä jäljellä olevan aineen laimentamiseksi (Kuva 17), sekoita hyvin ja käytä laitetta huuhdellaksesi laitteen kaikki osat. Tämä huuhtelu on tehtävä purkamatta käsittelyn aikana käytettyjä tarvikkeita. Huuhteluseosta ei saa missään tapauksessa heittää viemäriin, vaan se on ruiskutettava ulkona jo käsitellylle alueelle.
- Toista huuhtelu useita kertoja ennen talvisäilytystä.
- Jos käyttämätöntä käsittelyainetta jää laitteeseen, poista laitteeseen jäänyt paine avaamalla turvaventtiili (Kuva 16).

Kerää liika aine ja huuhtelee ruisku uudelleen yllä kuvatulla tavalla.

- Ennen kuin käytät laitetta uudelleen, vaikka heti, eri ruiskutusaineella, toista huuhtelu kolme kertaa.

- Ennen kuin käytät laitetta uudelleen, vaikka heti, samalla tai eri käsittelyaineella, tarkista että ruisku toimii kunnolla (erityisesti venttiili).

HUOLTO / YLLÄPITO

- Rasvaa kaikki tiivisteet (silikonirasvalla ruiskulle) käynnistäessäsi laitetta talvisäilytyksen jälkeen ja useamman kerran käyttökauden aikana.

Tarkista ruiskun hyvä käyttökunto (erityisesti venttiilin).

- Puhdista suutin ja suutinluukku (**Kuva 20**)

- Puhdista ruiskuletkun suodatin (**Kuva 21**)

- Irrota pumppu (**Kuva 22**)

- Rasvaa tai vaihda venttiilit ja tiivisteet (**Kuva 22**)

VIAT / RATKAISUT

Ongelmat	Ratkaisut
Ruiskuttaa heikosti tai ei lainkaan	Varmista, että kaikki liittimet ovat tiukasti kiinni
	Varmista, että kaikki tiivisteet on rasvattu ja puhtaita, ja että ne eivät ole vioittuneet tai kuluneet. Vaihda ne tarvittaessa (ota yhteys kuluttajapalveluun).
	Puhdista suutin ja suodattimet
Laite ei ruiskuta suoraan	Puhdista suutin
Laite vuotaa	Varmista, että kaikki liittimet ovat tiukasti kiinni
	Varmista, että kaikki tiivisteet on rasvattu ja puhtaita, ja että ne eivät ole vioittuneet tai kuluneet. Vaihda ne tarvittaessa (ota yhteys kuluttajapalveluun).
Vioittunut turvaventtiili	VAARA: Älä enää nosta laitteen painetta. Ota yhteys kuluttajapalveluun

KUUT

SOPIMUKSEN MUKAISEN TAKUUN LAAJENNUS

Takuun kesto ja laajuus:

- Tarjoamme tuotteillemme ostopäivästä lähtien takuun, jonka kesto on tarkennettu tuotteen mukana tulevassa käyttöohjeessa tai tuotteessa (pakollinen sopimuksen mukainen 2 vuoden takuu + sopimuksen mukaisen takuumme laajennus).

- Jos tuotteiden ostopäivää ei voida todistaa, takuu alkaa tuotteen valmistuspäivästä (löytyy tuotteen alaosasta).

Sopimuksen mukaisen takuun rajoitukset:

Sopimuksen mukaiseen takuuseen ei kuulu:

- Normaalisissa käytössä kuluneet osat: tiivisteet, venttiilit, kahva, suutin, putkistot, kantohihnat, kiertokanki ja vipu,

- Muokatut tuotteet,

- Tuotteet, joita on käytetty tuotteen mukana tulevan käyttöohjeen teknisten suositusten vastaisesti,

- Tuotteet, joita on käytetty väärin,

- Tuotteet, joita ei ole huollettu säännöllisesti,

- Tuotteen turmeltuminen (iskut, putoamiset, puristuminen jne.), joka johtuu tuotteen huolimattomasta käytöstä, huollon puutteesta, virheellisestä tai epänormaalista käytöstä,

- Sellaisen osan vaihto, joka on hävinnyt laitteesta.

Takuun käyttö:

- Pyydämme sinua säilyttämään ostotodistuksesi (lasku tai lukukelpoinen kassakuitti), jota pyydetään, jos haluat käyttää sopimuksen mukaista takuuta.

- Takuunalainen tuote, joka on korjattu tai vaihdettu, pysyy takuunalaisena takuun jäljellä olevan keston ajan ja osto hetkellä myönnetyt sopimuksen mukaisen takuun alkuperäisten ehtojen puitteissa. Kaikki palautetut tuotteet ovat HOZELOCK-EXELin omistuksessa, kun laite vaihdetaan uuteen laitteeseen.

Laillinen takuu

- Sopimuksen mukainen takuu, jonka ehdot mainitaan ylempänä, ei korvaa laillista takuuta.

En trykksprøyte er et apparat under trykk som kan medføre eksplosjonsrisiko ved væskesprut hvis instruksjonene i denne bruksanvisningen ikke følges. Kontakt produsenten ved tvil.

Bruksanvisningen ble opprinnelig skrevet og godkjent på fransk. Alle de andre språkene er oversettelser av originalen. Ved motsigelser, unøyaktigheter eller avvik mellom den franske versjonen og utgaven på de andre språkene, gjelder den franske versjonen.

BRUKSOMRÅDE

- Dette apparatet er utelukkende beregnet på sprøyting med PLANTEVERN MIDLER TIL HAGEBRUK og BIOCONTROL-produkter og bruk av OPPSKRIFTENE som er presentert eller foreslått av produsenten i oppskriftsheftet som følger med produktet eller på produsentens nettsted. Det er viktig at mengdene av hver ingrediens i OPPSKRIFTENE overholdes nøye. Utfør instruksjonene i bruksanvisningen fra produsenten av disse oppløsningene. Det er ABSOLUTT NØDVENDIG å ta kontakt med produsenten ved enhver annen bruk.

OBS: Dette apparatet må ikke inneholde eller sprøyte produkter med klor, oppløsningsprodukter, aceton- eller syrebaserte produkter (unntatt eddik), klor, vaskemidler og desinfiseringsmidler.

Sprøyten er kompatibel med eddikbaserte produkter som er tillatt for salg på det svenske markedet, f.eks. Kraft Attika - listen er tilgjengelig på www.kemi.se.

BRUKSANVISNING

Monter munnstykket på dyppslangen, og monter slangen på denne enheten. Monter rørelementet på tanken (Fig. 9).

- Monter rørelementet på håndtaket (Fig.9).

- Monter klipsen på lanserøret (Fig.9).

- Monter begge mutrene på lanserøret. Monter dysen på lanserøret og slangen på håndtaket (Fig.9).

- Monter sokkelen, som finnes på enkelte modeller, ved å klippe eller skru, avhengig av modell (Fig. 8).

- Monter bæreselen(e), som finnes på enkelte modeller (Fig.10).

- Sett på plass påfyllingsfilteret, som finnes på enkelte modeller, når trykksprøyten skal fylles (Fig.11). Fest filteret på tuten ved å dra i snorene. Ta av filteret før trykksprøyten lukkes igjen.

- Slik festes lasen etter bruk (Fig.10)

- Trykksprøyten er ikke kompatibel med trykkregulatoren produsert av HOZELOCK-EXEL ref 283983

- Trykksprøyten er ikke kompatibel med teleskopslansen HOZELOCK ref 4107

BRUKE APPARATET / SIKKERHETSREGLER

- Dette apparatet er utstyrt med en bryter som skrur av tilførselen til lansens så snart bryteren ikke lenger holdes ned.

- Denne trykksprøyten er utstyrt med en sikkerhetsventil regulert til trykket angitt på sikkerhetsventilen eller på tanken, og som begrenser trykket inni tanken.

- Det anbefales å:

- Aldri demontere sikkerhetsventilen på trykksprøyten.

- Ikke hindre sikkerhetsventilen i å fungere.

- Av sikkerhetsgrunner må den hele tiden være i funksjonsklar tilstand.

- Før sprøyten settes under trykk, må du sjekke at sikkerhetsventilen fungerer godt: løft den for hånd, og slipp den ned igjen. Den må straks falle tilbake til sin opprinnelige posisjon. Hvis det ikke er tilfellet, må du ikke sette sprøyten under trykk.

- Sørg for at apparatet fungerer godt ved å teste tettheten med noen liter vann i beholderen.

- Apparatet må ikke brukes eller oppbevares ved temperaturer under 5 °C og over 40 °C, både om vinteren og resten av året (Fig. 1 og 2).

- Sprøyteløsningen må ikke overstige 25°C (Fig. 3).

- Sprøyting må kun skje under rolige værforhold (uten vind).

- Det må ikke brukes eksplosive, syreholdige og/eller etsende midler i trykksprøyten (Fig. 4 og 5).

- Sprøytingen må ikke rettes mot flammer eller varmekilder.

- Bruk beskyttelsesklær, vernehansker, vernebriller og vernemaske (Fig. 6).

- Det er forbudt å røyke, drikke eller spise mens sprøyten brukes.

- Sprøytingen må ikke rettes mot personer eller kjæledyr.

- Utenforstående personer og kjæledyr må holdes på rimelig avstand fra sprøytingen (Fig. 7).

- Tenk miljøvern, sprøyt kun der det trengs.

- Du må aldri demontere en del fra trykksprøyten uten å ha fjernet trykket på forhånd.

- Dette apparatet må ikke brukes hvis du er trett, syk, påvirket av alkohol, narkotika eller legemidler.

PÅFYLLING

- Følg instruksjonene fra produsenten av midlene (dosering, bruksmetode, skylling).

- Lag kun den mengden som er strengt nødvendig, og for én enkelt behandling. Vi anbefaler å bruke et filter til påfylling. Unngå at middelet renner over.

- De synlige merkene på tanken gjør det enkelt å fylle på riktig mengde.

- Tilberedning av sprøyteløsningen:

a) Pulver (oppløses eller fortynnes): tilberedes i en bøtte før den tømmes over i tanken gjennom påfyllingshullet.

b) Flytende middel (oppløses i vann): ha 1 eller 2 liter vann i tanken, tilsett dosen med flytende middel og fyll på med nødvendig mengde vann.

BRUKE APPARATET

- Skru for hånd, avhengig av apparat, påfyllingskorken eller pumpen på tankenr (Fig. 12).
- Pump for å sette under trykk inntil sikkerhetsventilen utløses (så snart luft slipper ut) (Fig. 13).
- Utfør trykksettingen av trykksprøyten kun ved hjelp av sprøytens pumpe.
- Sprøyt ved å trykke på bryteren på håndtaket (Fig. 14).
- Reguler spruten ved vri dysen begge veier (Fig. 15).
- For å unngå all risiko for tilstopping er det absolutt nødvendig å tilberede sprøyteløsningen i en annen beholder og bruke det leverte filteret ved påfylling av sprøyten (Fig. 11).

ETTER BRUK / RENJØRING

Etter hver bruk:

- Fjern resttrykket som eventuelt er igjen i trykksprøyten ved enten å dra eller skyve sikkerhetsventilen, avhengig av tilfellet, eller ved å sprøyte inntil det ikke lenger er trykk igjen.
- Unngå forurensning ved å spare på det ubrukte middelet og emballasjen.
- Vask hendene og ansiktet med rent vann etter å ha brukt trykksprøyten.
- Trykksprøyten må aldri ryddes bort mens det fortsatt er trykk i den.
- Sprøytmiddel må aldri oppbevares inni trykksprøyten.
- Apparatet må ikke bli stående i varmen, solen eller kulden (Fig. 1 og 2).
- Trykksprøyten må oppbevares på et lunt sted utilgjengelig for barn.
- Rengjør filteret på håndtaket og sugefilteret i tanken hvis trykksprøyten har et slikt filter.
- Rengjør påfyllingsfilteret (Fig. 23)
- Hvis du sprøyter inntil det kommer luft ut: fjern resttrykket som eventuelt er igjen i trykksprøyten ved enten å bruke sikkerhetsventilen (Fig. 16), eller ved å sprøyte inntil det ikke lenger er trykk igjen. Restvolumet i tanken er mindre enn 250 ml.
- Før trykksprøyten ryddes bort eller brukes på nytt med et annet sprøytmiddel, må den skylles. Tilsett 1 liter vann for å fortynde middelet i tanken (Fig. 17), bland godt og sprøyt for å skylle alle delene av trykksprøyten. Skyllingen må utføres uten å demontere tilbehørsdelene som ble brukt til sprøytingen. Denne skylleblandingen må under ingen omstendigheter slås ut i avløpssystemet, men må sprøytes utendørs på samme område som ble sprøytet. Gjenta skyllingen flere ganger før overvintring
- Hvis du fortsatt har ubrukt sprøytmiddel, fjern eventuelt resttrykk ved å bruke sikkerhetsventilen (Fig. 16). Hell ut middelet som eventuelt er igjen, og skyll sprøyten på nytt slik det står ovenfor.

- Før trykksprøyten brukes, selv umiddelbart, med et annet sprøytmiddel, gjentas skyllingen 3 ganger etter hverandre.

- Før sprøyten brukes på nytt, selv umiddelbart, med samme eller et annet sprøytmiddel, må du kontrollere at trykksprøyten fungerer tilfredsstillende (spesielt sikkerhetsventilen).

VEDLIKEHOLD

- Smør pakningene (med silikonsmøring for trykksprøyter) regelmessig, ved oppstart etter overvintring og flere ganger i sesongen, og sjekk at trykksprøyten fungerer godt (spesielt sikkerhetsventilen).
- Rengjør dysen og dyseholderen (Fig. 20)
- Rengjør lanse filteret (Fig. 21)
- Fjern pumpe (Fig.22)
- Smør eller skift ventilen og selene (Fig.22)

PROBLEMER / LØSNINGER

Problemer	Løsning
Liten eller ingen sprøyting	Sørg for at alle tilkoblingene er skrudd godt fast
	Sørg for at pakningene er smurt og rene, og ikke skadet eller slitt. Skift dem ut om nødvendig (kontakt kundeservice).
	Rengjør dysen og filterene
Sprøytingen er ikke rett	Rengjør dysen Rengjør dysen og filterene
Lekkasjer	Sørg for at alle tilkoblingene er skrudd godt fast
	Sørg for at pakningene er smurt og rene, og ikke skadet eller slitt. Skift dem ut om nødvendig (kontakt kundeservice).
Mangelfull sikkerhetsventil	FARE: Ikke sett apparatet under trykk Kontakt kundeservice

GARANTIER

UTVIDELSE AV KONTRAKTSGARANTIEN

Garantiens varighet og omfang:

- Vi garanterer våre produkter i den perioden som er angitt i den spesifikke bruksanvisningen som følger med produktet eller på produktet regnet fra kjøpstidspunktet (obligatorisk kontraktsgaranti på 2 år + utvidelse av vår kontraktsgaranti).
- Hvis det ikke foreligger dokumentasjon på kjøpsdatoen, løper garantien fra datoen da middelet ble produsert (angitt under middelet).

Utelukkelse av kontraktsgarantien:

Kontraktsgarantien inkluderer ikke:

- Normale slidedeler: pakninger, ventiler, håndtak, dyse, slanger, bæresele, stempelstang og spak,
- Endrede produkter,
- Produkter som har blitt brukt i strid med de tekniske anbefalingene som står i bruksanvisningene vedlagt produktet,
- Produkter som har blitt misbrukt,
- Produkter som ikke har blitt regelmessig vedlikeholdt,
- Skader på produktet (slag, fall, knusing ...) forårsaket av uaktsomhet, manglende vedlikehold, misbruk eller unormal bruk av produktet,
- Utskiftning av en del av trykksprøyten etter tap av delen.

Garantiens anvendelse:

- Vi ber deg om å oppbevare kjøpsdokumentasjonen (leselig regning eller kvittering). Du vil bes om å fremlegge dette for å gjøre bruk av garantien.
- Et produkt under garanti som har blitt reparert eller skiftet ut, er under garanti i resten av garantiperioden, på de opprinnelige vilkårene i kontraktsgarantien fastsatt på kjøpstidspunktet. Ethvert returnert produkt tilhører på nytt HOZELOCK-EXEL når produktet byttes ut med et nytt produkt.

Lovmessig garanti

- Kontraktsgarantien som står ovenfor, erstatter ikke den lovmessige garantien.

Denne sprøyte er under tryk, og der er risiko for eksplosjon og udsprøytning av væske, hvis bruksanvisningen ikke følges. Kontakt produsenten, hvis du er i tvivl.

Den originale bruksanvisning er udarbejdet og godkendt på fransk. Alle andre sprog er oversættelser af den originale bruksanvisning. I tilfælde af konflikt, unøjagtigheder eller uoverensstemmelser mellem den franske og andre sprogversioner, vil den franske version være gældende.

ANVENDELSESOMRÅDE

Dette apparat er udelukkende beregnet til brug med PHYTOSANITAIRES JARDIN- og BIOCONTROLE-produkter og til brug for BLANDINGERNE, der vises eller foreslås af konstruktøren i hæftet med forstøvningsblandinger, der følger med produktet, eller som findes på konstruktørens internetsite. Det er vigtigt, at overholde mængderne af hver ingrediens nøje i BLANDINGERNE.

Fabrikanternes bruksanvisninger for de pågældende opløsninger skal overholdes. For al anden anvendelse er det BYDENDE NØDVENDIGT at kontakte konstruktøren.

VIGTIGT: Dette apparat må ikke indeholde eller forstøve produkter med klor, opløsningsstoffer, produkter på basis af acetone og syre (undtagen eddike), klorin, vaskepulver og desinfektionsmidler.

Forstøver kompatibel med produkter på basis af eddike, der er godkendt til salg på det svenske marked, såsom Kraft Attika - Liste findes på www.kemi.se. »

MONTERING

- Monter kanalen på ventilstigerøret, og monter derefter slangen på dette modul. Monter slangeføringerne på tanken (**Fig.9**).
- Monter slangeføringen på håndtaget (**Fig.9**).
- Monter klemmen på strålerøret (**Fig.9**).
- Monter de to møtrikker på strålerøret. Monter dysen på strålerøret og røret på håndtaget (**Fig.9**).
- Monter soklen, som findes på nogle modeller, ved at påklipse eller skruer, alt efter modellen (**Fig. 8**).
- Monter bæreselen eller bæreselerne ifølge modellen (**Fig.10**).
- Ved påfyldning af sprøyten sættes påfyldningsfilteret på, hvis det findes på modellen (**Fig.11**). Pak filteret på mundstykket ved at trække i trådene. Fjern filteret, før sprøyten lukkes igen.
- Opbevaring af sprøyten efter brug (**Fig.10**)
- Sprøyte er ikke kompatibel med trykregulator fremstillet af HOZELOCK-EXEL, ref 283983
- Sprøyte ikke kompatibel med teleskopisk strålerør HOZELOCK, ref 4107

FUNKTIONSMÅDE

IBRUGTAGNING / SIKKERHEDSREGLER

- Denne enhed er udstyret med en kontakt, der afbryder strømforsyningen til strålerøret, når kontakten ikke er aktiveret.
- Sprøjten er udstyret med en sikkerhedsventil, der er indstillet til det tryk, der er anført på ventilen eller beholderen, og som begrænser trykket i beholderen.
- Det anbefales:
- Aldrig at afmontere ventilen fra enheden.
- Ikke at forhindre ventilens funktion.
- Af sikkerhedsmæssige hensyn skal den altid være i perfekt stand.
- Før enheden sættes under tryk, skal det kontrolleres, at ventilen fungerer ved at løfte den manuelt og slippe den. Den skal straks vende tilbage til udgangspositionen. Hvis det ikke sker, skal enheden ikke sættes under tryk.
- Kontroller, at enheden fungerer korrekt ved at kontrollere tætningen med et par liter vand i beholderen.
- Enheden må ikke anvendes og opbevares ved temperaturer under 5° C og over 40° C, både i vinterperioden og resten af året (Fig. 1 og 2).
- Sprøjteopløsningens temperatur må ikke overstige 25° C (Fig. 3).
- Brug kun sprøjten i stille vejr (vindstille).
- Brug ikke sprængstoffer, syrer og/eller ætsende stoffer i sprøjten (Fig. 4 og 5).
- Sprøjt ikke mod flammer eller varmekilder.
- Brug beskyttelsestøj, -handsker, -briller og -maske (Fig. 6).
- Undgå at ryge, drikke og spise under brug af sprøjten.
- Sprøjt ikke i retning af mennesker eller dyr.
- Hold andre personer og dyr på rimelig afstand under sprøjtning (Fig. 7).
- Beskyt miljøet, og sprøjt kun på de arealer, der skal behandles.
- Afmonter aldrig en del fra sprøjten uden først at have udlignet trykket.
- Enheden må ikke anvendes i tilfælde af træthed, sygdom, under indflydelse af alkohol, narkotika eller andre medikamenter.

OPFYLDNING

- Følg anvisningerne fra fabrikanten af behandlingsprodukterne (dosering, anvendelsesmåde, skylning).
- Forbered kun den mængde af produktet, der er strengt nødvendigt til en enkelt behandling. Vi anbefaler, at du bruger et filter ved påfyldning og undgår at spilde.
- Doseringen er nem at følge med inddelingen på beholderen.

- Tilberedning af sprøjteopløsningen:

a) Pulverprodukt (opløseligt eller sprøjtepulver): Tilbered opløsningen i en spand, og hæld den derefter på beholderen gennem påfyldningsåbningen.

b) Flydende produkt (fortyndes i vand): hæld 1 til 2 liter vand i beholderen, hæld den rette dosis af det flydende produkt i, og fyld op med vand til den ønskede mængde.

UNDER BRUG

- Skru manuelt påfyldningsdækslet eller pumpen (afhængigt af enheden) på beholderen (Fig. 12).
- Pump for at sætte beholderen under tryk, indtil ventilen aktiveres (så snart der mærkes luft) (Fig. 13).
- Sprøjtens tryk må kun genereres ved brug af dens egen pumpe
- Sprøjt ved at trykke på afbryderen på håndtaget (Fig. 14).
- Indstil strålen ved at dreje dysen i begge retninger (Fig. 15).
- For å undgå all risiko for tilstopping er det absolutt nødvendig å tilberede sprøyteopløsningen i en annen beholder og bruke det leverte filteret ved påfylling av sprøyten (Fig. 11).

EFTER BRUG / RENGØRING

Efter brug hver gang:

- Fjern resttrykket i beholderen ved at aktivere sikkerhedsventilen, ved enten at trække eller skubbe den efter behov, eller ved at sprøjte, indtil der ikke er mere tryk.
- Undgå risiko for forurening ved at indsamle alt ubrugt produkt med emballage.
- Vask hænder og ansigt i rent vand efter brug af sprøjten.
- Læg aldrig sprøjten til side, hvis den stadig er under tryk.
- Opbevar aldrig et behandlingsprodukt inde i sprøjten.
- Opbevar ikke enheden i varme, sol eller kulde (Fig. 1 og 2).
- Opbevar sprøjten på et beskyttet sted, der er utilgængeligt for børn.
- Rengør håndtagets filter og sugefilteret i beholderen, hvis sprøjten er udstyret med det.
- Påfyldningsfilteret skal rengøres (Fig. 23)
- Hvis du sprøjter, til der er luft i strålen: Fjern resttrykket i sprøjten ved at aktivere sikkerhedsventilen (Fig. 16) eller ved at sprøjte, indtil der ikke er mere tryk. Den resterende mængde væske er mindre end 250 ml.
- Før henstilling og før anden brug med et andet behandlingsprodukt skal sprøjten skylles, dvs. der skal hældes 1 liter vand på for at fortynde indholdet af beholderen (Fig. 17). Bland godt, og aktiver sprøjten for at gennemskylle alle enhedens komponenter. Denne skylning skal udføres uden at afmontere det tilbehør, der blev anvendt under behandlingen.

Denne skylleblanding må aldrig bortskaffes gennem kloaker, men skal sprøjtes udenfor på jorden, der allerede er behandlet.

- Gentag handlingen flere gange før vinterpausen.
- Hvis der stadig er ubrugt behandlingsprodukt i beholderen, skal det resttryk udluftes, der stadig måtte være i enheden, ved at aktivere sikkerhedsventilen (Fig. 16). Indsaml eventuelt overskydende produkt, og skyl igen sprøjten som beskrevet ovenfor.
- Før brug af sprøjten næste gang, også selvom det er med det samme, med en anden sprøjteopløsning, skal skyllingen gentages 3 gange.
- Før brug af sprøjten næste gang, også selvom det er med det samme, og med samme eller et andet behandlingsprodukt, skal det kontrolleres, at sprøjten fungerer rigtigt (især ventilen).

VEDLIGEHOLDELSE

- Når sprøjten tages i brug igen efter vinterpausen og flere gange i løbet af sæsonen, skal alle pakninger smøres (med silikonefedt til sprøjter), og det skal kontrolleres, at sprøjten fungerer rigtigt (især ventilen).
- Rengør dysen og dyseindgangen (Fig. 20)
- Rengør strålerørets filter (Fig.21)
- Afmonter pumpen (Fig.22)
- Smør eller udskift ventilen og pakningerne (Fig.22)

FEJLFINDING

Problem	Løsninger
Svag eller ingen sprøjtning	Kontroller, at alle tilslutninger er strammet
	Kontroller, at alle pakninger er smurt og rene, og at de ikke er beskadiget eller slidt. Udskift dem efter behov (kontakt kundeservice).
	Rengør dysen og filtrene
Sprøjtetrålen er ikke lige	Rengør dysen
Lækager	Kontroller, at alle tilslutninger er strammet
	Kontroller, at alle pakninger er smurt og rene, og at de ikke er beskadiget eller slidt. Udskift dem efter behov (kontakt kundeservice).
Sikkerhedsventil defekt	FARE! Enheden må ikke sættes under tryk. Kontakt kundeservice

GARANTIE

FORLÆNGELSE AF DEN KONTRAKTMÆSSIGE GARANTI

Garantiens omfang og varighed:

- Vores produkter er dækket af garanti i det tidsrum, der er angivet i den specifikke vejledning, der er vedlagt produktet, eller på produktet, regnet fra købsdatoen (obligatorisk kontraktmæssig garanti udvidet til 2 år + forlængelse af vores kontraktmæssige garanti).
- Ved mangel af bevis for produktets købsdato løber garantien fra produktets fremstillingsdato (anført under produktet).

Undtagelser for den kontraktmæssige garantis dækning:

Den kontraktmæssige garanti dækker ikke:

- Normale sliddele: pakninger, ventiler, håndtag, dyse, slanger, bæreremme, forbindelsesstang og pumpehåndtag.
- Modificerede produkter.
- Produkter, der anvendes i strid med de tekniske anvisninger i de brugsanvisninger, der følger med produktet.
- Produkter, der er anvendt forkert.
- Produkter, der ikke er blevet vedligeholdt regelmæssigt.
- Skader på produktet (stød, fald, masning osv.) på grund af forsømmelse, manglende vedligeholdelse, forkert eller unormal brug.
- Udskiftning af en komponent, fordi en af sprøjtenes komponenter mangler.

Sådan virker garantien:

- Gem venligst købsbeviset (faktura eller læselig kassebon), som skal fremvises, hvis enhedens garanti skal anvendes.
- Garantien dækker ethvert produkt, som er blevet repareret eller udskiftet under garantien, så længe, den oprindelige garanti løber og på de betingelser, der var gældende ved købet. Produkter, der returneres til HOZELOCK-EXEL, forbliver vores ejendom, når vi har erstattet dem med et nyt produkt.

Lovpligtig garanti

- Den kontraktmæssig garanti, hvis vilkår er anført ovenfor, erstatter ikke den lovpligtige garanti.

I AVVERTENZE PER L'USO

Un polverizzatore è un apparecchio sotto pressione, che può presentare dei rischi d'esplosione, spruzzando intorno del liquido, se le raccomandazioni contenute in queste istruzioni non sono rispettate. In caso di dubbi, consultare il costruttore. Le avvertenze originali sono state redatte e approvate in francese. Tutte le altre lingue sono una traduzione dell'originale. In caso di conflitto, di imprecisioni o di differenze tra il francese e le altre lingue, fa fede la versione francese.

CAMPO D'APPLICAZIONE

Questo apparecchio è progettato esclusivamente per l'applicazione di prodotti FITOSANITARI GIARDINO, prodotti di BIOCONTROLLO e per l'applicazione di RICETTE presentate o proposte dal costruttore, nel libretto ricette incluso in questo prodotto o sul sito internet del costruttore. È importante rispettare scrupolosamente le quantità di ogni ingrediente delle RICETTE. Rispettare le istruzioni d'uso del fabbricante delle suddette soluzioni. Per qualsiasi altra applicazione è OBBLIGATORIO consultare il costruttore.

ATTENZIONE: Questo apparecchio non deve contenere o polverizzare i prodotti clorati, i prodotti a base di solventi, i prodotti a base di acetone e a base acida (a esclusione dell'aceto), la candeggina, i prodotti detersivi e i disinfettanti. Polverizzatore compatibile con prodotti a base di aceto autorizzati alla vendita sul mercato svedese come Kraft Attika - Elenco disponibile su www.kemi.se. »

MONTAGGIO

- Montare il collettore sul tubo pescante poi montare il tubo su questo insieme.
- Montare i tubi sul serbatoio (Fig. 9).
- Montare i tubi sull'impugnatura (Fig. 9).
- Montare la clip sul tubo della lancia (Fig. 9).
- Montare i due dadi sul tubo della lancia. Montare l'ugello sul tubo della lancia e il tubo sull'impugnatura (Fig. 9).
- Montaggio della base (presente a seconda del modello) con clip o mediante avvvitamento a seconda del modello (Fig. 8).
- Montare la/e bretella/e di trasporto (presente/i a seconda del modello) (Fig. 10).
- Posizionare il filtro di riempimento (presente a seconda del modello) durante il riempimento del polverizzatore (Fig. 11). Fissare il filtro sulla bocchetta tirando i cordini. Rimuovere il filtro prima di richiudere il polverizzatore.
- Stoccaggio della lancia dopo l'utilizzo (Fig. 10).
- Polverizzatore non compatibile con il regolatore di pressione fabbricato da HOZELOCK-EXEL rif. 283983

FUNZIONAMENTO

MESSA IN SERVIZIO / NORME DI SICUREZZA

- Questo apparecchio è equipaggiato con un interruttore che consente di staccare l'alimentazione della lancia non appena l'interruttore non è più tenuto.
 - Questo polverizzatore è equipaggiato con una valvola di sicurezza tarata alla pressione riportata sulla valvola o sul serbatoio, che limita la pressione all'interno del serbatoio.
 - Si raccomanda quanto segue:
 - Non smontare mai la valvola dal suo apparecchio.
 - Non ostacolare il funzionamento della valvola.
 - Per la vostra sicurezza, essa deve essere mantenuta in perfetto stato di funzionamento.
 - Prima di ogni messa in pressione, verificare il buon funzionamento della valvola: sollevarla manualmente poi rilasciarla. Essa deve ritornare istantaneamente alla sua posizione iniziale. Se ciò non avviene, non mettete l'apparecchio in pressione.
 - Accertarsi del buon funzionamento dell'apparecchio, verificando le tenute con qualche litro d'acqua nel serbatoio.
 - L'apparecchio non deve essere utilizzato a temperature inferiori a 5°C e superiori a 40°C, sia durante lo stoccaggio invernale che per il resto dell'anno (Fig. 1 e 2).
 - La soluzione da nebulizzare non deve superare i 25°C (Fig. 3).
 - Non eseguire i trattamenti altro che quando il tempo è calmo (senza vento).
 - Non utilizzare dei prodotti esplosivi, acidi e/o corrosivi nel polverizzatore (Fig. 4 e 5).
 - Non polverizzare in direzione di fiamme o fonti di calore.
 - Portare indumenti di protezione, guanti di protezione, occhiali di protezione e maschere di protezione (Fig. 6).
 - Non fumare, bere o mangiare durante l'utilizzazione.
 - Non polverizzare in direzione di persone o animali domestici.
 - Tenere terze persone e animali domestici a distanza ragionevole durante la polverizzazione (Fig. 7).
 - Preservare l'ambiente, polverizzare solo sulle superfici da trattare.
 - Non smontare mai un elemento del polverizzatore senza avere tolto in precedenza la pressione.
 - Questo apparecchio non deve essere utilizzato in caso di stanchezza, malattia, sotto l'effetto di alcool, droga o farmaci.
- ### RIEMPIMENTO
- Rispettare le istruzioni del fabbricante dei prodotti per il trattamento (dosaggio, modo di applicazione, risciacquo).

- Non preparare altro che la quantità di prodotto strettamente necessaria, e per una sola applicazione. Vi consigliamo di utilizzare un filtro durante il riempimento e di evitare ogni trascinamento.

- Il dosaggio è facilitato dalla graduazione visibile sul serbatoio.

- Preparazione della soluzione da polverizzare:

a) Prodotto in polvere (solubile oppure inumidibile): preparare la soluzione in un secchio prima di travasarla nel serbatoio attraverso l'orifizio di riempimento.

b) Prodotto a base liquida (da diluire in acqua): mettere da 1 a 2 litri d'acqua nel serbatoio, versare la dose di prodotto liquido, quindi completare con acqua fino alla quantità desiderata.

- Esempio di calcolo per ottenere un dosaggio adatto e sufficiente:

- Superficie da trattare : 100 m²

- Dosaggio: 0,6L/100m² (indicazione fornita dal fabbricante del prodotto di trattamento).

- Pressione di polverizzazione : 3 bar.

- Altezza dell'ugello rispetto al suolo (o al muro): 0.3m.

- Larghezza di polverizzazione : 0.6m.

- Velocità di avanzamento : 2km/h, ossia 33.33m/min.

SE NE DEDUCE QUINDI:

- Superficie trattata in 1 minuto = 33.33m/min x 0,6m = 20m²/min.

- Quantità di miscela necessaria = superficie da trattare / superficie trattata in 1 min x portata dell'ugello = 100m²/20m²/min x 0,98L/min = 3,3 litri; ossia 3.3-0.6 = 2.7 litri d'acqua e 0.6 litri di prodotto di trattamento.

- Questo calcolo è dato solamente a titolo indicativo. Nell'utilizzazione reale si devono prendere in considerazione le informazioni del fabbricante di prodotti di trattamento ed i dati indicati sulla tabella della portata degli ugelli.

DURANTE L'USO

- Avvitare manualmente, a seconda dell'apparecchio, il tappo di riempimento oppure la pompa sul serbatoio (Fig. 12).

- Regolare la lunghezza della lancia nel modo che vi conviene, se possedete una lancia telescopica.

- Pompate per mettere in pressione, fino allo scatto della valvola (fino a che non viene espulso un soffio d'aria) (Fig. 13).

- Montare l'ugello adatto. Potete trovare gli ugelli nel reparto accessori del vostro negozio.

- Polverizzare premendo sull'interruttore dell'impugnatura (Fig. 14).

- Procedere alla regolazione del getto ruotando l'ugello nei due sensi (Fig. 15).

- Al fine di evitare rischi di ostruzione, è obbligatorio preparare la soluzione da polverizzare in un altro contenitore e poi utilizzare il filtro fornito durante il riempimento del polverizzatore (Fig. 11).

DOPO L'USO / PULIZIA

Dopo ogni utilizzazione:

- Eliminare la pressione residua, che può permanere nell'apparecchio, azionando la valvola di sicurezza, tirandola o spingendola a seconda dei casi, oppure polverizzando, fino a quando non vi è più pressione.

- Evitare i rischi di inquinamento, recuperando il prodotto non utilizzato, come pure il suo imballaggio.

- Lavarsi le mani ed il viso con l'acqua dopo l'utilizzazione del polverizzatore.

- Non riporre mai il polverizzatore in pressione.

- Non conservare mai del prodotto di trattamento all'interno del polverizzatore.

- Non lasciare l'apparecchio né al caldo, né al sole, né al freddo (Fig. 1 e 2).

- Riporre il polverizzatore in un luogo riparato, fuori della portata dei bambini.

- Pulire il filtro dell'impugnatura ed il filtro d'aspirazione nel serbatoio, se il polverizzatore ne è dotato.

- Pulire il filtro di riempimento (Fig. 23).

- Se polverizzate fino all'apparizione di aria nel getto: eliminate la pressione residua, che può permanere nell'apparecchio, azionando la valvola di sicurezza (Fig. 16) oppure polverizzate, fino a quando non vi è più pressione. Il volume residuo di liquido è inferiore a 250 ml.

- Prima di riporlo e prima di qualsiasi altra utilizzazione con un altro prodotto per trattamenti, effettuate un risciacquo aggiungendo 1 litro di acqua nel serbatoio per diluire (Fig. 17), mescolare bene e far funzionare per sciacquare l'insieme dei componenti del polverizzatore. Questa operazione di risciacquo va effettuata senza smontare gli accessori utilizzati durante il trattamento. Questa miscela di risciacquo non deve in nessun caso essere versata negli scarichi, ma essere polverizzata all'esterno sul terreno già trattato.

- Ripetere l'operazione più volte prima dello stoccaggio invernale.

- Se rimane ancora del prodotto non utilizzato, eliminate la pressione che può essere rimasta nell'apparecchio, azionando la valvola di sicurezza (Fig. 16).

Recuperare l'eventuale eccedenza del prodotto e sciacquare nuovamente il polverizzatore come indicato sopra.

- Prima di qualsiasi altra utilizzazione, anche nell'immediato, con un'altra soluzione da polverizzare, ripetere per 3 volte di seguito l'operazione di risciacquo.

- Prima di qualsiasi altra utilizzazione, anche nell'immediato, con lo stesso prodotto per trattamenti o con un altro prodotto per trattamenti, verificare il buon funzionamento del polverizzatore (in particolare della valvola).

MANUTENZIONE / CURA

- Periodicamente, al riavvio dopo lo stoccaggio invernale e più volte per stagione, eseguire l'ingrassaggio di tutti i giunti (con un grasso al silicone per polverizzatore), e verificare il buon funzionamento del polverizzatore (particolarmente la valvola).
- Pulire l'ugello e il porta ugelli (Fig. 20).
- Pulire il filtro della lancia (Fig. 21).
- Smontare la pompa (Fig. 22).
- Lubrificare o sostituire la valvola e i giunti (Fig. 22).

PROBLEMI / SOLUZIONI

Problemi	Soluzioni
Polverizzazione bassa o assente	Accertarsi che tutti i raccordi siano stretti bene
	Accertarsi che tutti i giunti siano lubrificati e puliti e non siano danneggiati o usurati. Sostituirli se necessario (contattare il servizio clienti).
	Pulire l'ugello e i filtri
La polverizzazione non è dritta	Pulire l'ugello
Perdite	Accertarsi che tutti i raccordi siano stretti bene
	Accertarsi che tutti i giunti siano lubrificati e puliti e non siano danneggiati o usurati. Sostituirli se necessario (contattare il servizio clienti).
Valvola di sicurezza difettosa	PERICOLO: Non mettere più l'apparecchio sotto pressione Contattare il servizio clienti

GARANZIA

ESTENSIONE DELLA GARANZIA CONTRATTUALE

Durata ed estensione della garanzia:

- Garantiamo i nostri prodotti per una durata indicata nelle avvertenze allegate al prodotto o sul prodotto a partire dalla data di acquisto (garanzia contrattuale obbligatoria portata a 2 anni + estensione della nostra garanzia contrattuale).
- In mancanza della prova della data d'acquisto dei prodotti, la garanzia decorre a partire dalla data di fabbricazione del prodotto (indicata sotto al prodotto).

Esclusione della garanzia contrattuale:

La garanzia contrattuale non comprende:

- I componenti soggetti a usura normale: giunti, valvole, impugnatura, ugello, tubi, cinghie di trasporto, biella e leva,
- I prodotti modificati,
- I prodotti di cui è stato fatto uso commettendo un'infrazione alle nostre raccomandazioni tecniche, che figurano nelle avvertenze allegate al prodotto,
- I prodotti dei quali si è fatto un uso abusivo,
- I prodotti che non sono stati sottoposti a manutenzione regolare,
- I deterioramenti del prodotto (urti, cadute, schiacciamenti, ecc.) derivanti da negligenza, mancanza di manutenzione, utilizzazione difettosa o anormale del prodotto,
- La sostituzione di un componente a seguito della perdita di un componente del polverizzatore.

Funzionamento della garanzia:

- Vi chiediamo di conservare la prova d'acquisto (fattura o scontrino leggibile) che vi sarà richiesta in caso di esecuzione della garanzia contrattuale.
- Un prodotto in garanzia che è stato riparato o sostituito resta garantito per la durata restante e alle condizioni iniziali della garanzia contrattuale concessa al momento dell'acquisto. I prodotti restituiti diventano proprietà di HOZELOCK-EXEL, quando sono sostituiti da un prodotto nuovo.

Garanzia legale

- La garanzia contrattuale, le cui condizioni sono esposte qui sopra, non sostituisce la garanzia legale.

Um pulverizador é um aparelho sob pressão que pode apresentar riscos de explosão, com projeção de líquido, se as instruções inscritas neste manual não forem respeitadas. Em caso de dúvida, consultar o fabricante. O manual original foi redigido e aprovado em francês. Todos os outros idiomas são traduções do original. Em caso de conflito, imprecisões ou diferenças entre o francês e os outros idiomas, prevalecerá a versão em francês.

DOMÍNIO DE APLICAÇÃO

Este produto foi criado exclusivamente para a aplicação de produtos FITOSANITÁRIOS PARA JARDIM, produtos de CONTROLO BIOLÓGICO e para a aplicação de RECEITAS apresentadas ou propostas pelo construtor, no manual adjunto a este produto ou no website do construtor.

É importante respeitar com rigor as quantidades de cada ingrediente das RECEITAS.

Respeite as instruções de utilização do fabricante das soluções.

Para qualquer outra aplicação, é IMPERATIVO consultar o fabricante.

ATENÇÃO: Este aparelho não deve conter nem pulverizar produtor

clorados, à base de solventes, produtos à base de acetona e com base ácida (salvo o vinagre), lixívia, produtos lixiviados nem desinfetantes. Pulverizador compatível com produtos à base de vinagre com venda autorizada no mercado sueco pela Kraft Attika - Lista disponível em www.kemi.se. »

MONTAGEM

- Montar a tubagem sobre o tubo imersor e, depois, montar o tubo sobre este conjunto. Montar a tubagem sobre o depósito (Fig. 9).

- Montar a tubagem sobre o punho (Fig. 9).

- Montar o clipe sobre tubo da lança (Fig. 9).

- Montar os dois parafusos sobre o tubo da lança. Montar o bico sobre o tubo de união e o tubo no punho (Fig. 9).

- Montagem da base, apresentada consoante o modelo, com clipagem ou aparafusamento, consoante o modelo (Fig. 8).

- Montar a(s) alça(s) de porte, apresentada(s) consoante o modelo (Fig.10).

- Colocar o filtro de abastecimento, apresentado consoante o modelo na altura do enchimento do pulverizador (Fig. 11). Selar o filtro no gargalo, puxando os cordéis. Retirar o filtro antes de voltar a fechar o pulverizador.

- Armazenamento da lança após a utilização (Fig.10).

- Pulverizador não compatível com o regulador de pressão fabricado pela HOZELOCK-EXEL ref 283983

FUNCIONAMENTO

COLOCAÇÃO EM SERVIÇO / REGRAS DE SEGURANÇA

- Este aparelho está equipado com um interruptor, que permite cortar a alimentação da lança quando o interruptor deixa de ser mantido.

- Este pulverizador está equipado com uma válvula de segurança tareado à pressão inscrita na válvula ou no depósito, que limita a pressão dentro do depósito.

- É recomendado:

- Nunca desmontar a válvula do seu aparelho.

- Nunca perturbar o funcionamento da válvula.

- Para sua segurança, a válvula deverá ser mantida em perfeito estado de funcionamento.

- Antes de cada colocação sob pressão, verificar o funcionamento correto da válvula: levantá-la manualmente e soltá-la. Ela deverá voltar instantaneamente à sua posição inicial. Se assim não for, não coloque o aparelho sob tensão.

- Assegurar-se que o aparelho funciona corretamente verificando as estanqueidades com alguns litros de água no depósito.

- O aparelho não deve ser utilizado nem armazenado a temperaturas abaixo de 5°C e superiores a 40°C, tanto no período de invernada como no resto do ano (Fig. 1 e 2).

- A solução a pulverizar não deverá exceder 25°C (Fig. 3).

- Fazer o tratamento apenas com tempo calmo (sem vento).

- Não utilizar produtos explosivos, ácidos e/ou corrosivos no pulverizador (Fig. 4 e 5).

- Não pulverizar na direção de chamas ou de fontes de calor.

- Usar vestuário de proteção, luvas de proteção, óculos de proteção e uma máscara de proteção (Fig. 6).

- Não fumar, beber, ou comer durante a utilização.

- Não pulverizar em direção das pessoas ou animais domésticos.

- Manter terceiros e animais domésticos a uma distância razoável durante a pulverização (Fig. 7).

- Preservar o meio ambiente, apenas pulverizar as superfícies a tratar.

- Nunca desmontar um elemento do pulverizador, sem ter previamente retirado a pressão.

- Este aparelho não deve ser utilizado em caso de fadiga, doença, sob a influência de álcool, drogas ou outros medicamentos.

ENCHIMENTO

- Respeitar as instruções do fabricante de produtos de tratamento (dosagem, modo de aplicação, enxaguamento).

- Preparar apenas a quantidade de produto estritamente necessária, e para uma única aplicação. Aconselhamos utilizar um filtro para o enchimento e evitar derrames.

- A dosagem é facilitada com a graduação visível no depósito.

- Preparação da solução para pulverizar:

a) Produto em pó (solúvel ou molhável): preparar a solução num balde antes de a verter no depósito pelo orifício de enchimento.

b) Produto de base líquida (a diluir em água): colocar 1 a 2 litros de água no depósito, verter a dose de produto líquido, e depois completar com a quantidade desejada de água.

- Exemplo de cálculo para obter a dosagem adaptada e suficiente:

- Superfície a tratar: 100 m²

- Dosagem: 0,6 l/100 m² (indicação fornecida pelo fabricante do produto de tratamento).

- Pressão de pulverização: 3 bars.

- Altura do bico em relação ao chão (ou parede): 0,3m.

- Largura de pulverização: 0,6m.

- Velocidade de avanço: 2km/h, ou seja 33,33m/min.

ENTÃO, DEDUZ-SE:

- Superfície tratada em 1 minuto: 33,33 m/min x 0,6 m = 20 m²/min.

- Quantidade de mistura necessária = superfície a tratar / superfície tratada em 1 min x vazão do bico = 100 m² / 20 m²/min x 0,66 L/min = 3,3 litros; ou seja 3,3-0,6 = 2,7 litros de água e 0,6 litros do produto de tratamento.

- Este cálculo é dado apenas a título indicativo. Durante a utilização real, é preciso levar em consideração as informações do fabricante do produto de tratamento e os dados indicados na tabela de vazão dos bicos.

NA UTILIZAÇÃO

- Aparafusar manualmente, segundo o aparelho, a tampa de enchimento ou a bomba no depósito (Fig. 12).

- Ajustar o comprimento da lança à sua conveniência se tiver uma lança telescópica.

- Bombear para colocar em pressão até a válvula disparar (quando houver a expulsão de ar) (Fig. 13).

- Montar o bico adequado à sua utilização. Veja os nossos bicos na secção acessórios da sua loja.

- Pulverizar premindo o interruptor do punho (Fig. 14).

- Proceder à regulação do jato, girando o bico nos dois sentidos (Fig. 15).

- Para evitar qualquer risco de congestionamento, é imperativo preparar a solução a pulverizar noutro recipiente, e depois utilizar o filtro fornecido na altura do enchimento do pulverizador (Fig. 11).

APÓS A UTILIZAÇÃO / LIMPEZA

Após cada utilização:

- Eliminar a pressão residual que possa subsistir no aparelho, accionando a válvula de segurança, puxando ou empurrando a mesma consoante o caso, ou pulverizando até que não tenha mais pressão.

- Evitar os riscos de poluição recuperando o produto não utilizado, bem como a sua embalagem.

- Lavar as mãos e o rosto com água limpa após a utilização do pulverizador.

- Nunca guardar o pulverizador sob pressão.

- Nunca conservar o produto de tratamento no interior do pulverizador.

- Não deixar o aparelho no calor, ao sol, nem ao frio (Fig. 1 e 2).

- Colocar o pulverizador num local abrigado, fora do alcance de crianças.

- Limpar o filtro do punho e o filtro de aspiração no depósito, se este estiver equipado.

- Limpar o filtro de enchimento (Fig.23).

- Se pulverizar até ao aparecimento de ar no jato: Elimine a pressão residual que possa subsistir no pulverizador accionando a válvula de segurança (Fig. 16) ou pulverize até que não haja mais pressão. O volume residual do líquido é inferior a 250 ml.

- Antes de guardar e antes de qualquer outra utilização com outro produto de tratamento, efetuar uma operação de enxaguamento, ou seja, juntar 1 litro de água no depósito (Fig. 17), misturar bem e deixar funcionar para lavar o conjunto dos componentes do aparelho. Esta operação de lavagem deve ser efetuada sem desmontar os acessórios utilizados no tratamento. Esta mistura proveniente da lavagem não deve em caso algum ser deixada no esgoto, mas sim pulverizada no exterior sobre o terreno já tratado. Repetir a operação várias vezes antes da invernada.

- Se sobejar mistura do produto de tratamento não utilizada, eliminar a pressão residual que possa subsistir no aparelho, accionando a válvula de segurança (Fig. 16). Recuperar o eventual excedente de produto e enxaguar novamente o pulverizador como acima indicado.

- Antes de qualquer nova utilização, mesmo que imediata, com uma solução de pulverização diferente, repetir 3 vezes de seguida a operação de enxaguamento.

- Antes de qualquer outra utilização, mesmo que seja imediata, com o

mesmo produto de tratamento ou com outro produto de tratamento, verificar o bom funcionamento do pulverizador (particularmente, da válvula).

MANUTENÇÃO / CONSERVAÇÃO

- Periodicamente, ao reiniciar após a invernada e várias vezes por temporada, lubrificar todas as juntas (com massa de silicone para pulverizador) e verificar o bom funcionamento do pulverizador (particularmente a válvula).

- Limpar o bico e o suporte do bico (Fig. 20).

- Limpar o filtro da lança (Fig.21).

- Desmontar a bomba (Fig.22).

- Lubrificar ou substituir a válvula e as juntas (Fig.22).

DEFEITOS / SOLUÇÕES

Problemas	Soluções
Pulverização fraca ou inexistente	Certificar-se de que todas as uniões estão bem apertadas
	Certificar-se de que todas as juntas estão lubrificadas e limpas, e não estão deterioradas ou gastas. Substituí-las se necessário (contatar o serviço ao consumidor).
	Limpar o bico e os filtros
A pulverização não é reta	Limpar o bico
Fugas	Certificar-se de que todas as uniões estão bem apertadas
	Certificar-se de que todas as juntas estão lubrificadas e limpas, e não estão deterioradas ou gastas. Substituí-las se necessário (contatar o serviço ao consumidor)
Válvula de segurança defeituosa	PERIGO: Não colocar o aparelho sob pressão. Contatar o serviço ao consumidor

GARANTIAS

EXTENSÃO DA GARANTIA CONTRATUAL

Duração e alargamento da garantia:

- Garantimos os nossos produtos durante o período indicado no aviso específico entregue com o produto ou no produto, a contar da data de compra (Garantia Contratual Obrigatória de 2 anos + alargamento da nossa Garantia Contratual).

- Na falta do comprovativo da data de compra dos produtos, a Garantia conta a partir da data de fabrico do produto (identificada no produto).

Exclusões da Garantia Contratual:

- A Garantia Contratual não inclui:

- As peças de desgaste normal: juntas, válvulas, punho, bico, tubos, precintas de portabilidade, biela e alavanca,

- Os produtos modificados,

- Os produtos cuja utilização viola as recomendações técnicas incluídas nos Manuais de Utilização em anexo ao produto,

- Os produtos dos quais é feita uma utilização abusiva,

- Os produtos que não são sujeitos a uma manutenção regular,

- A degradação do produto (choques, quedas, esmagamento, etc.) proveniente de negligência, falhas na manutenção, utilização defeituosa ou anormal do produto,

- A substituição de um componente, depois de uma perda de um componente do pulverizador.

Funcionamento da Garantia:

- Pedimos-lhe que guarde o seu comprovativo de compra (fatura ou recibo legíveis), que lhe será pedido em caso de utilização da Garantia Contratual.

- Um produto sob a garantia que foi reparado ou substituído, continua sob a garantia para a duração restante e nas condições iniciais da Garantia Contratual atribuída aquando da compra. Todos os produtos devolvidos tornam-se propriedade da HOZELOCK-EXEL quando substituídos por produtos novos.

Garantia Legal

- A Garantia Contratual, cujas condições se encontram enumeradas acima, não substitui a Garantia Legal.

HOZELOCK

Hozelock-Exel
891 route des Frères - 69653
Villefranche-sur-Saône Cedex
FRANCE

Hozelock Ltd
Midpoint Park, Birmingham,
B76 1AB. ENGLAND
Tel: +44 (0) 121 313 1122

Hozelock Australia Pty Ltd
Unit 42 / 74 Indian Drive
Keysborough Victoria 3173
Phone: 1300 275175
Email: australi@mail@hozelock.com

www.hozelock.com

Ref. 585739